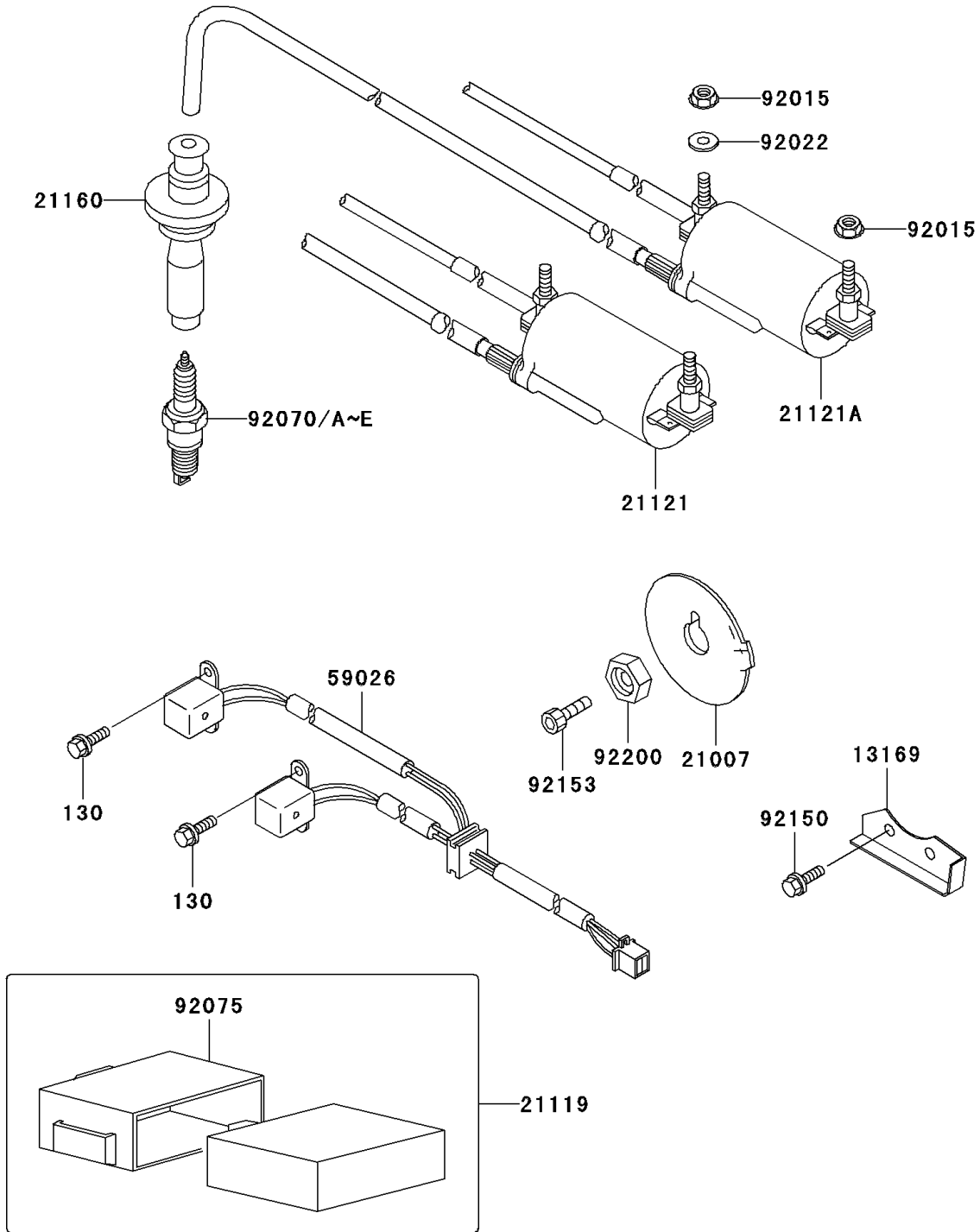


2003 Concours PARTS DIAGRAM

Ignition System

E1830



2003 Concours PARTS LIST

Ignition System

ITEM NAME	PART NUMBER	QUANTITY
-----------	-------------	----------