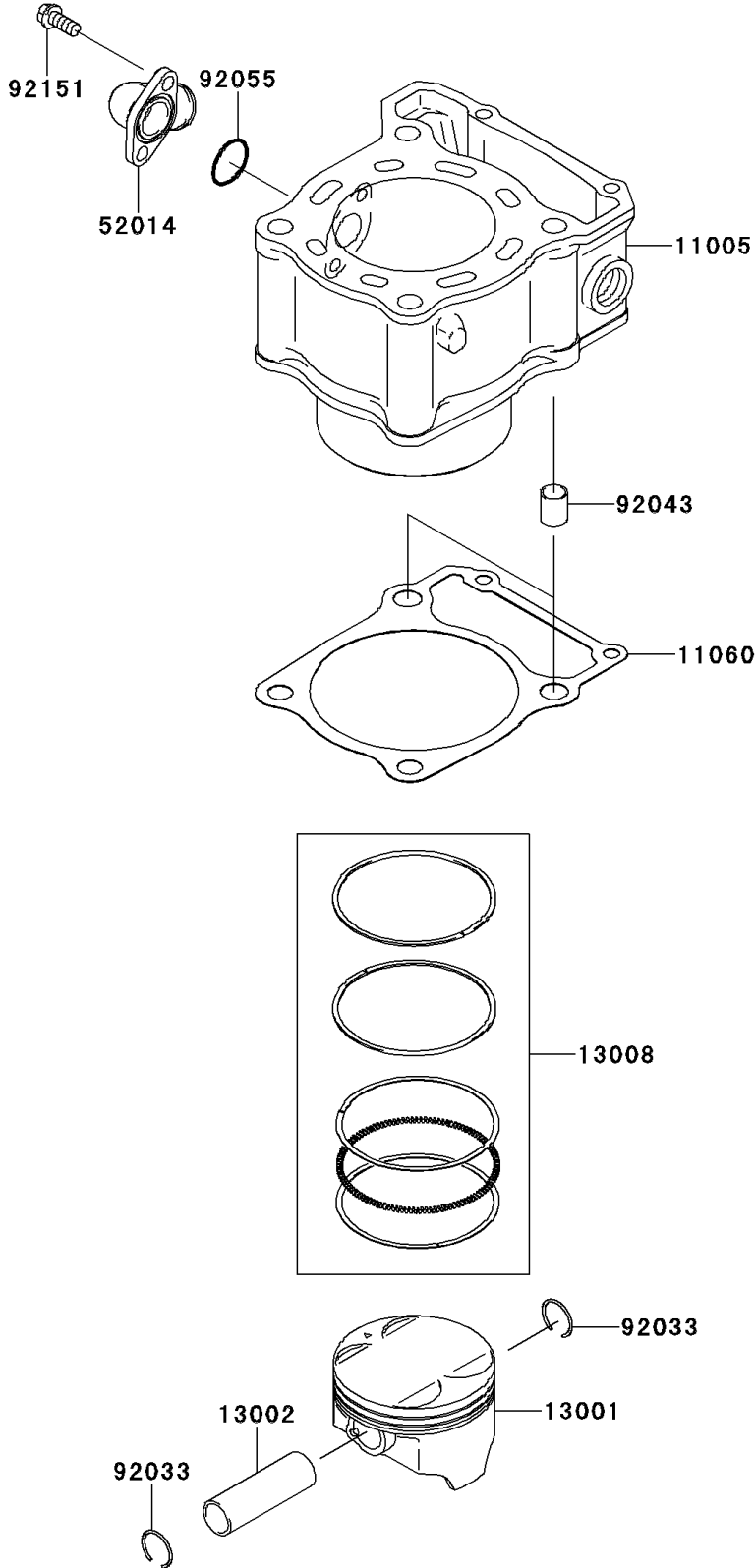


2010 KLX® 250S PARTS DIAGRAM

Cylinder/Piston(s)

E1120



2010 KLX® 250S PARTS LIST

Cylinder/Piston(s)

ITEM NAME	PART NUMBER	QUANTITY
-----------	-------------	----------