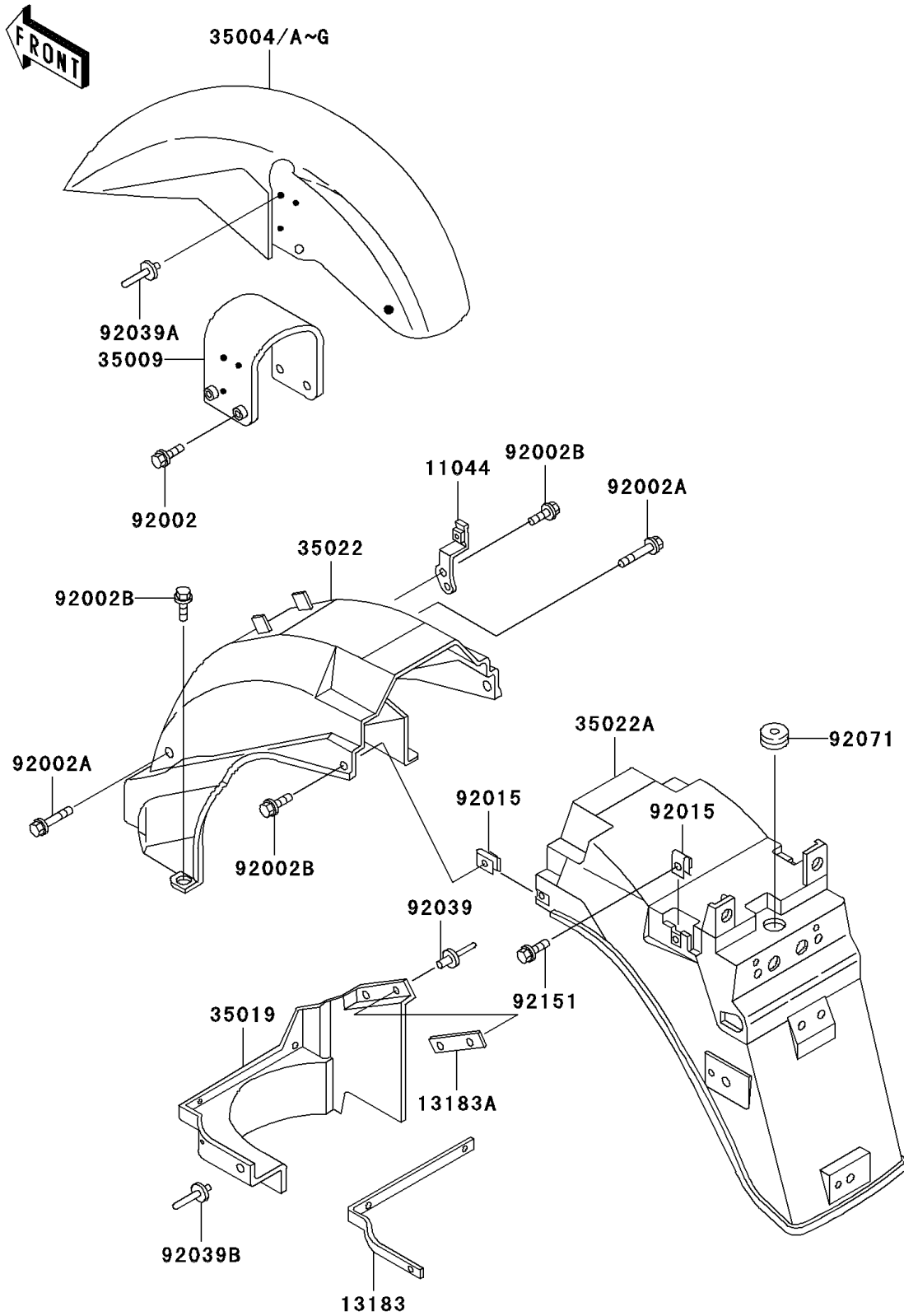


2004 Concours PARTS DIAGRAM

Fenders

F2170



2004 Concours PARTS LIST

Fenders

ITEM NAME	PART NUMBER	QUANTITY
BRACKET,RR BRAKE RESERVOIR (Ref # 11044)	11044-1782	1
PLATE,REAR FENDER FLAP,LH (Ref # 13183)	13183-1021	1
PLATE,REAR FENDER FLAP,RH (Ref # 13183A)	13183-1022	1
FENDER-FRONT,P.M.BLACK (Ref # 35004G)	35004-1402-373	1
BRACE,FRONT FENDER (Ref # 35009)	35009-1101	1
FLAP,REAR FENDER,FR (Ref # 35019)	35019-1183	1
FENDER-COMP-REAR,FR (Ref # 35022)	35022-1223	1
FENDER-COMP-REAR,RR,BLACK (Ref # 35022A)	35022-1224-6Z	1
BOLT,FLANGED,8X20 (Ref # 92002)	92002-1134	4
BOLT,6X55 (Ref # 92002A)	92002-1707	2
BOLT,6X16 (Ref # 92002B)	92002-1852	5
NUT,6MM (Ref # 92015)	92015-1602	4
RIVET (Ref # 92039)	92039-1147	5
RIVET (Ref # 92039A)	92039-1230	6
RIVET (Ref # 92039B)	92039-1231	1
GROMMET,SENSOR LEAD (Ref # 92071)	92071-1058	1
BOLT (Ref # 92151)	92151-1056	2