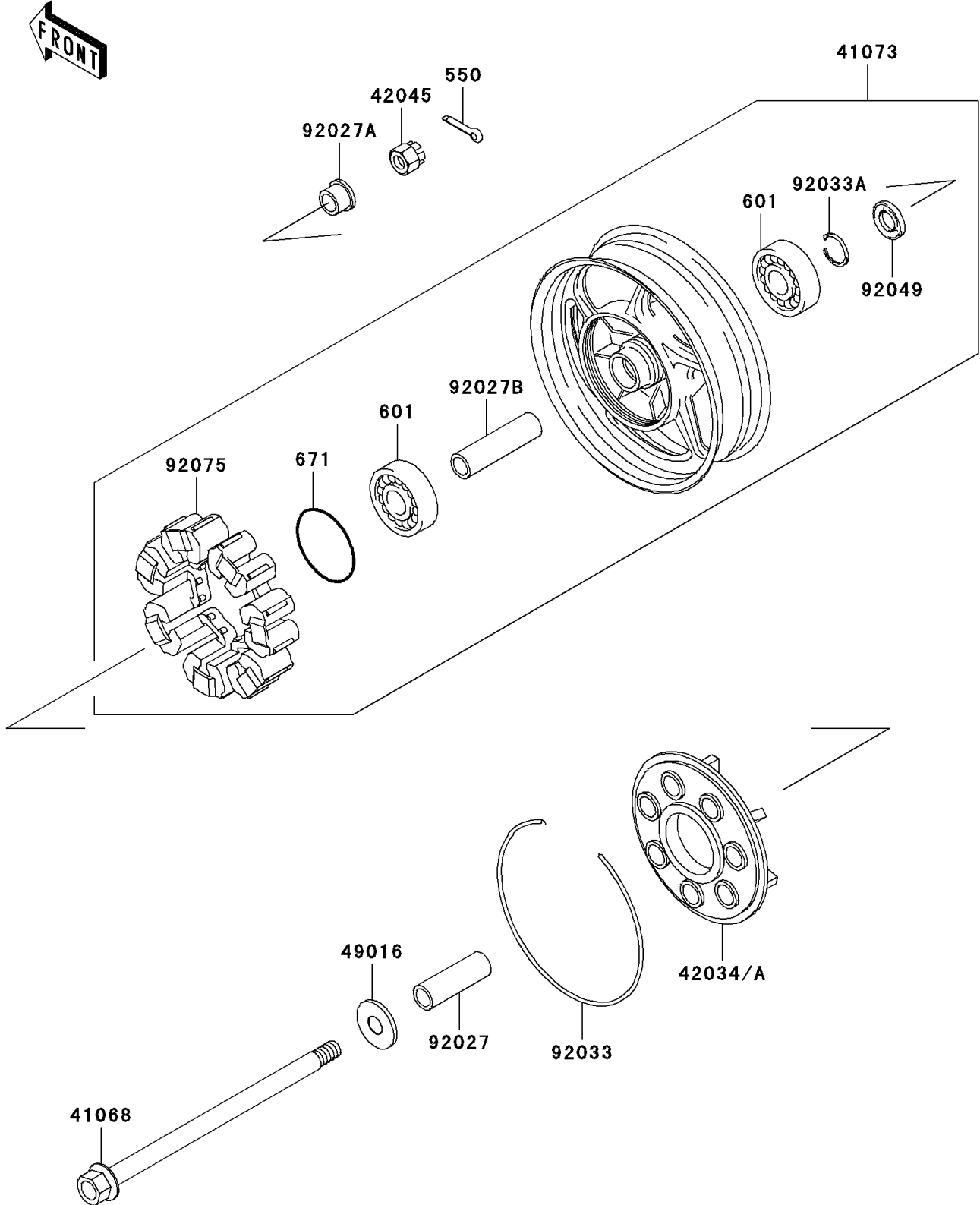


# 2002 Concours PARTS DIAGRAM

Rear Wheel/Chain

F2240



## 2002 Concours PARTS LIST

### Rear Wheel/Chain

| ITEM NAME                           | PART NUMBER   | QUANTITY |
|-------------------------------------|---------------|----------|
| PIN-COTTER,4.0X35 (Ref # 550)       | 550D4035      | 1        |
| BEARING-BALL,#6304UUC3 (Ref # 601)  | 601B6304UU    | 2        |
| O RING,80MM (Ref # 671)             | 671B2580      | 1        |
| AXLE,RR (Ref # 41068)               | 41068-1197    | 1        |
| WHEEL-ASSY,RR,G.GRAY (Ref # 41073)  | 41073-1549-GE | 1        |
| COUPLING,RR HUB (Ref # 42034A)      | 42034-1011    | 1        |
| NUT,CASTLE,18MM (Ref # 42045)       | 42045-018     | 1        |
| COVER-SEAL (Ref # 49016)            | 49016-1019    | 1        |
| COLLAR,20.2X28X89 (Ref # 92027)     | 92027-1553    | 1        |
| COLLAR,RR AXLE,L=20 (Ref # 92027A)  | 92027-1792    | 1        |
| COLLAR,20.2X28X105.5 (Ref # 92027B) | 92027-1901    | 1        |
| RING-SNAP (Ref # 92033)             | 92033-1019    | 1        |
| RING-SNAP,52MM (Ref # 92033A)       | 92033-1043    | 1        |
| SEAL-OIL,28X52X5 (Ref # 92049)      | 92049-1061    | 1        |
| DAMPER,SHOCK,RR HUB (Ref # 92075)   | 92075-1121    | 1        |