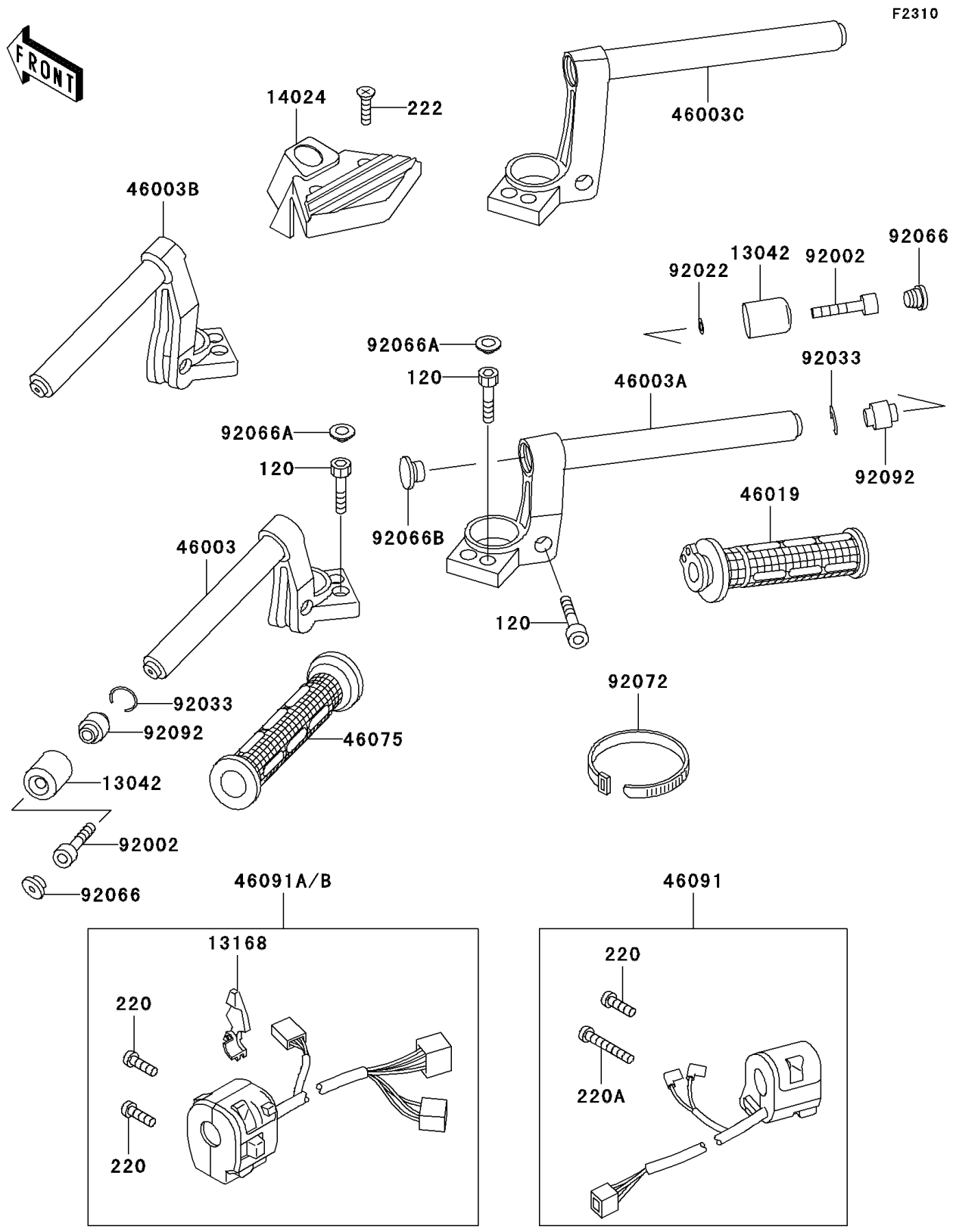


2003 Concours PARTS DIAGRAM

Handlebar



2003 Concours PARTS LIST

Handlebar

ITEM NAME	PART NUMBER	QUANTITY
-----------	-------------	----------