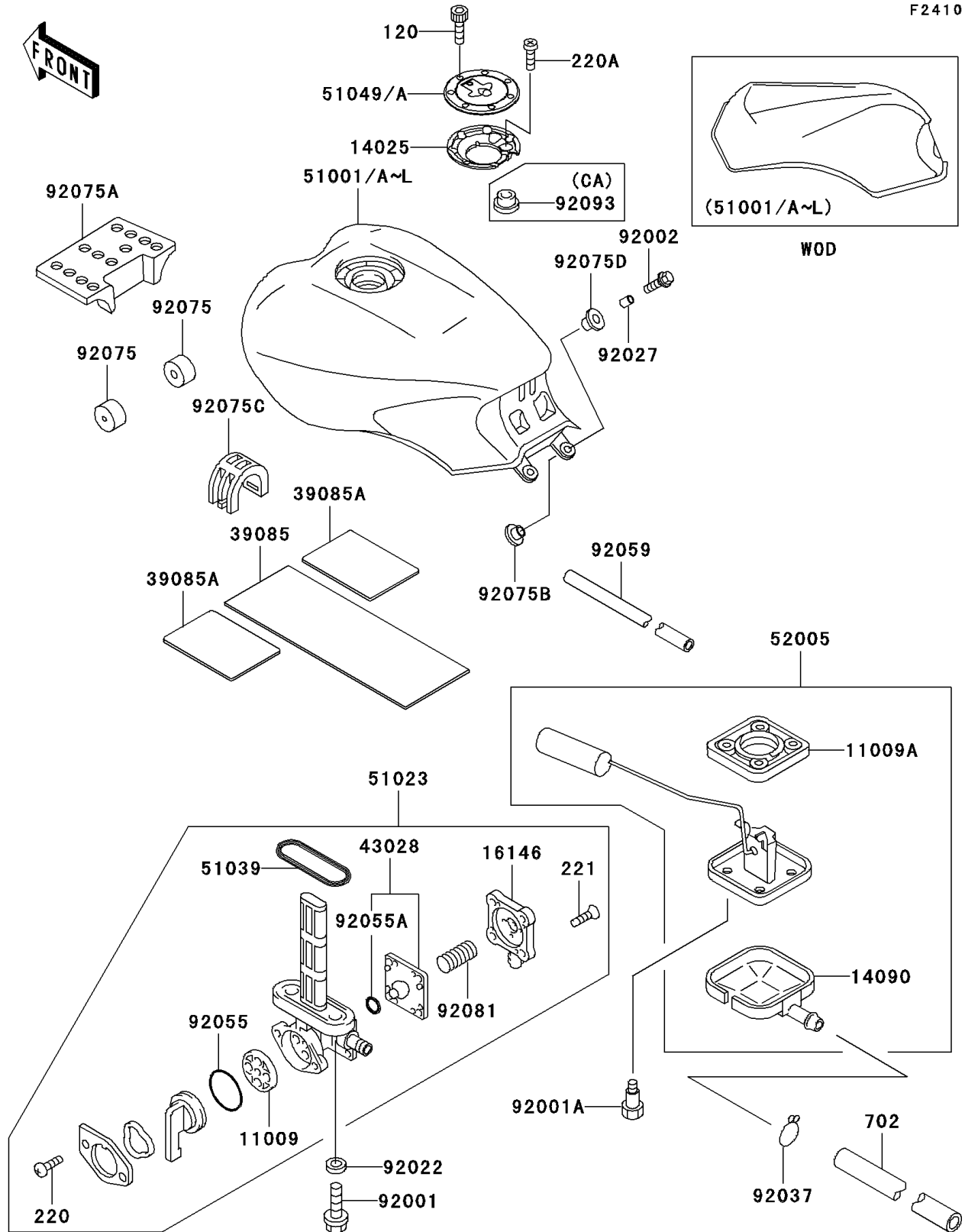


# 2002 Concours PARTS DIAGRAM

Fuel Tank

F2410



## 2002 Concours PARTS LIST

### Fuel Tank

ITEM NAME	PART NUMBER	QUANTITY
GASKET,TAP VALVE (Ref # 11009)	11009-1530	1
GASKET,FUEL GAUGE (Ref # 11009A)	11009-1656	1
COVER,TANK CAP (Ref # 14025)	14025-1913	1
COVER,FUEL GAUGE (Ref # 14090)	14090-1624	1
COVER-ASSY,TAP DIAPHRAGM (Ref # 16146)	16146-1005	1
DIAPHRAGM,TAP (Ref # 43028)	43028-1015	1
TAP-ASSY,FUEL (Ref # 51023)	51023-1388	1
RING,TAP FLANGED (Ref # 51039)	51039-010	1
CAP-TANK,FUEL (Ref # 51049A)	51049-1131	1
BOLT-SOCKET (Ref # 120)	120S0512	7
SCREW-PAN-CROS (Ref # 220)	220B0308	2
SCREW-PAN-CROSS (Ref # 220A)	220F0508	1
SCREW-CSK-CROS,4X14 (Ref # 221)	221B0414	4
TUBE-RUBBER,7X10X780 (Ref # 702)	702A07780	1
GAUGE,FUEL (Ref # 52005)	52005-1078	1
BOLT,6X20 (Ref # 92001)	92001-1091	2
BOLT,FUEL GAUGE (Ref # 92001A)	92001-1705	4
BOLT,6X25 (Ref # 92002)	92002-1137	2
WASHER,6.2X11X1.5 (Ref # 92022)	92022-183	2
COLLAR,6.8X10X14.5 (Ref # 92027)	92027-156	2
CLAMP,TUBE (Ref # 92037)	92037-147	1
RING-O,TAP LEVER (Ref # 92055)	92055-1027	1
RING-O (Ref # 92055A)	92055-1664	1
TUBE,5X8X600 (Ref # 92059)	92059-1726	1
DAMPER,FUEL TANK (Ref # 92075)	92075-125	2
DAMPER,FUEL TANK (Ref # 92075A)	92075-1672	1
DAMPER,MALE (Ref # 92075B)	92075-174	2
DAMPER,FUEL TANK (Ref # 92075C)	92075-1741	1
DAMPER,FEMALE (Ref # 92075D)	92075-175	2

## 2002 Concours PARTS LIST

### Fuel Tank

ITEM NAME	PART NUMBER	QUANTITY
SPRING,TAP DIAPHRAGM (Ref # 92081)	92081-1171	1
PAD-TANK,CNT (Ref # 39085)	39085-1060	1
PAD-TANK,SIDE (Ref # 39085A)	39085-1061	2
TANK-COMP-FUEL,M.P.SILVER (Ref # 51001E)	51001-1616-GU	1
TANK-COMP-FUEL,M.P.SILVER (Ref # 51001G)	51001-1616-IS	1
TANK-COMP-FUEL,M.P.SILVER (Ref # 51001K)	51001-1662-IS	1
SEAL,FUEL TANK CAP (Ref # 92093)	92093-1030	1