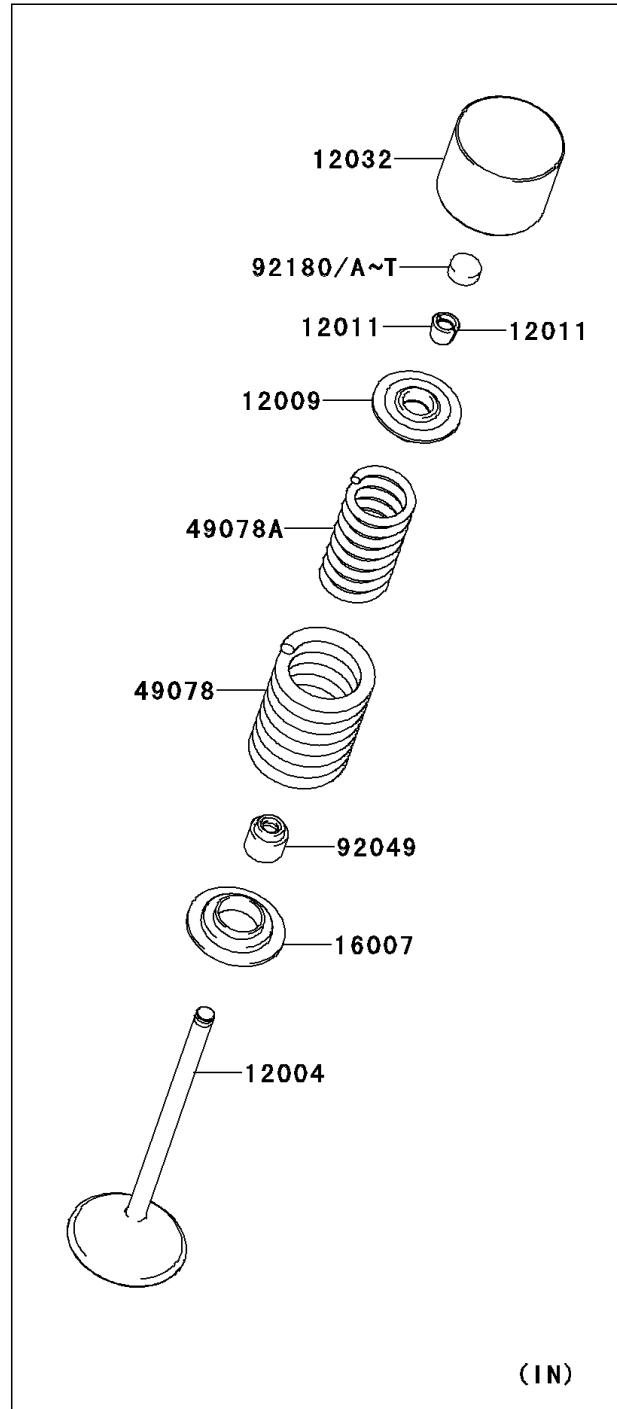
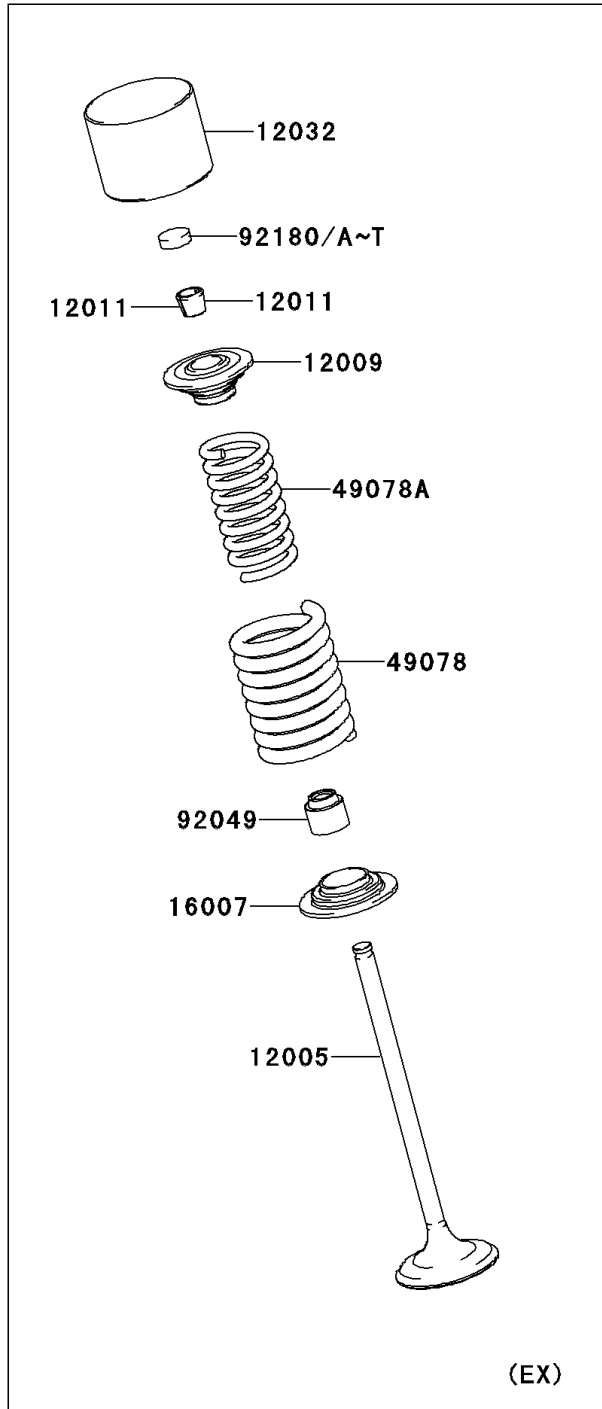


2012 KLX® 250S PARTS DIAGRAM

Valve(s)

E1210



2012 KLX® 250S PARTS LIST

Valve(s)

ITEM NAME	PART NUMBER	QUANTITY
-----------	-------------	----------