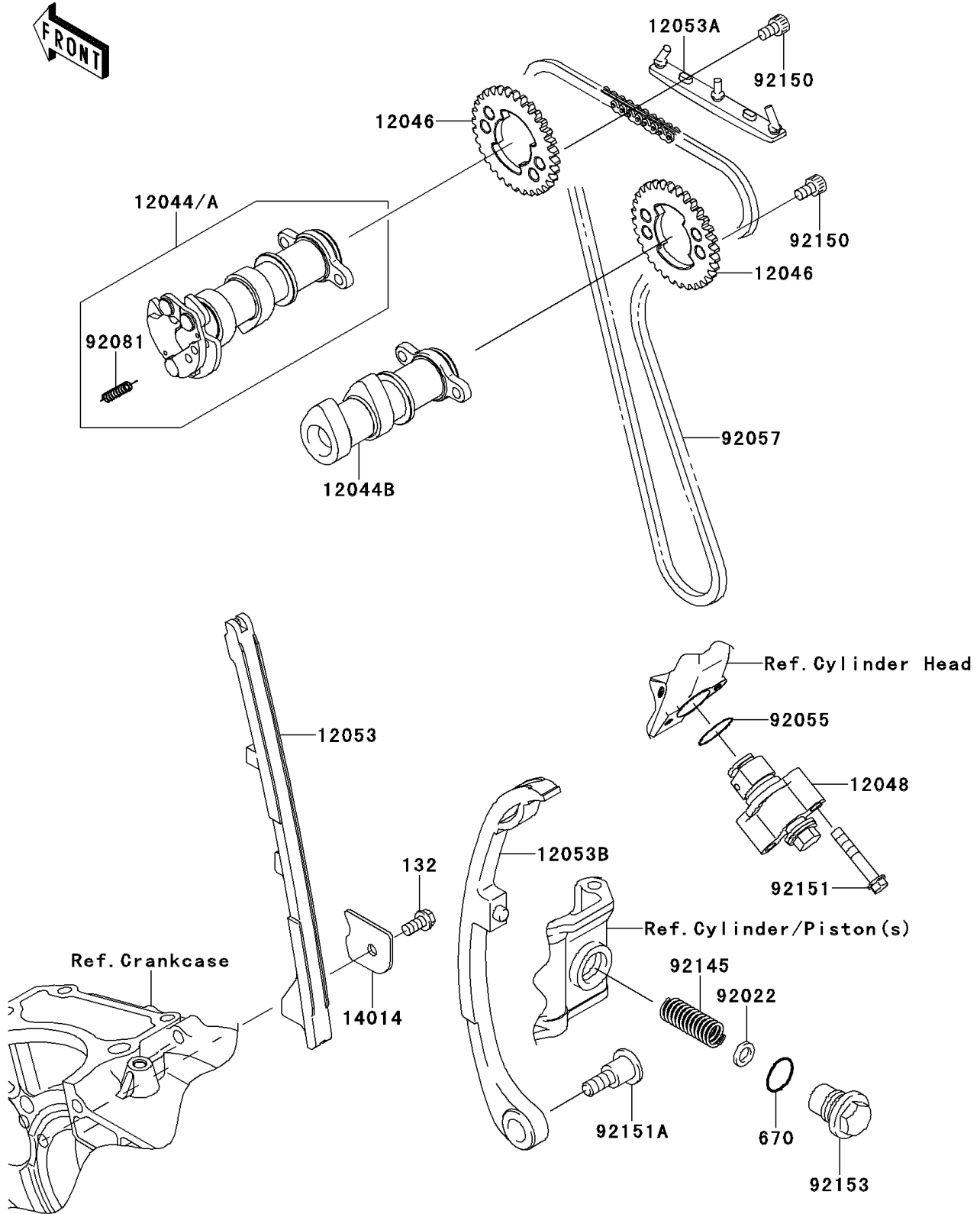


# 2011 KLX250S (Canada Only) PARTS DIAGRAM

Camshaft(s)/Tensioner

E1230



## 2011 KLX250S (Canada Only) PARTS LIST

### Camshaft(s)/Tensioner

| ITEM NAME                            | PART NUMBER | QUANTITY |
|--------------------------------------|-------------|----------|
| BOLT-FLANGED-SMALL,6X12 (Ref # 132)  | 132BB0612   | 1        |
| O RING,18MM (Ref # 670)              | 670B2018    | 1        |
| CAMSHAFT-VALVE,EXHAUST (Ref # 12044) | 12044-0175  | 1        |
| CAMSHAFT-VALVE,INTAKE (Ref # 12044B) | 12044-1327  | 1        |
| SPROCKET,CAMSHAFT,32T (Ref # 12046)  | 12046-0001  | 2        |
| TENSIONER-ASSY (Ref # 12048)         | 12048-0054  | 1        |
| GUIDE-CHAIN,FR (Ref # 12053)         | 12053-1315  | 1        |
| GUIDE-CHAIN,UPP (Ref # 12053A)       | 12053-1317  | 1        |
| GUIDE-CHAIN,RR (Ref # 12053B)        | 12053-1391  | 1        |
| PLATE-POSITION (Ref # 14014)         | 14014-1130  | 1        |
| WASHER,8.5X13.5X2 (Ref # 92022)      | 92022-1108  | 1        |
| RING-O,18.8X1.9 (Ref # 92055)        | 92055-086   | 1        |
| CHAIN,CAM,92RH2010 (Ref # 92057)     | 92057-1416  | 1        |
| SPRING,DECOMPRESSOR (Ref # 92081)    | 92081-1626  | 1        |
| SPRING,TENSIONER (Ref # 92145)       | 92145-0367  | 1        |
| BOLT,SOCKET,6X10 (Ref # 92150)       | 92150-1650  | 4        |
| BOLT,6X35 (Ref # 92151)              | 92151-1135  | 2        |
| BOLT,L=30 (Ref # 92151A)             | 92151-1154  | 1        |
| BOLT,TENSIONER (Ref # 92153)         | 92153-0650  | 1        |