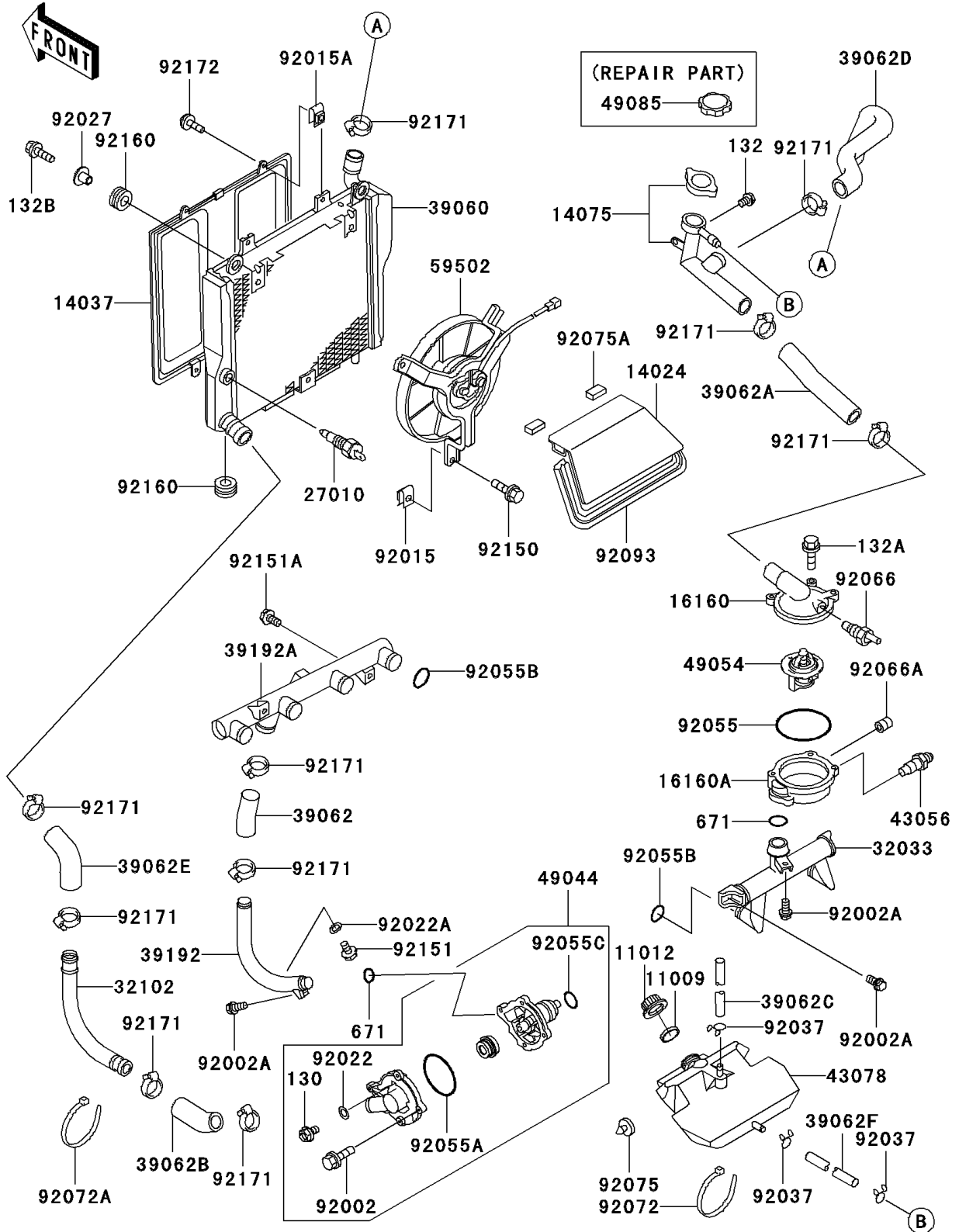


2005 Concours PARTS DIAGRAM

Radiator

E3032



2005 Concours PARTS LIST

Radiator

ITEM NAME	PART NUMBER	QUANTITY
GASKET,RESERVOIR TANK CAP (Ref # 11009)	11009-1145	1
CAP (Ref # 11012)	11012-1084	1
COVER (Ref # 14024)	14024-1267	1
SCREEN,RADIATOR (Ref # 14037)	14037-1070	1
CAP-ASSY,RADIATOR (Ref # 14075)	14075-1055	1
BODY,THERMOSTAT,UPP (Ref # 16160)	16160-1067	1
BODY,THERMOSTAT,LWR (Ref # 16160A)	16160-1068	1
SWITCH,FAN (Ref # 27010)	27010-1202	1
PIPE (Ref # 32033)	32033-1719	1
PIPE (Ref # 32102)	32102-1023	1
RADIATOR (Ref # 39060)	39060-1076	1
HOSE-COOLING (Ref # 39062)	39062-1072	1
HOSE-COOLING (Ref # 39062A)	39062-1091	1
HOSE-COOLING (Ref # 39062B)	39062-1092	1
HOSE-COOLING,5.5X10.5X1500 (Ref # 39062C)	39062-1144	1
HOSE-COOLING (Ref # 39062D)	39062-1164	1
HOSE-COOLING (Ref # 39062E)	39062-1165	1
HOSE-COOLING (Ref # 39062F)	39062-1226	1
PIPE-WATER (Ref # 39192)	39192-1028	1
PIPE-WATER (Ref # 39192A)	39192-1029	1
BREATHER (Ref # 43056)	43056-003	1
RESERVOIR (Ref # 43078)	43078-1074	1
PUMP-WATER (Ref # 49044)	49044-1083	1
THERMOSTAT (Ref # 49054)	49054-1051	1
CAP-ASSY-PRESSURE (Ref # 49085)	49085-1067	1
FAN-ASSY (Ref # 59502)	59502-1067	1
BOLT,6X22 (Ref # 92002)	92002-1392	2
BOLT,6X12 (Ref # 92002A)	92002-1569	4
NUT (Ref # 92015)	92015-1487	3

2005 Concours PARTS LIST

Radiator

ITEM NAME	PART NUMBER	QUANTITY
NUT,6MM (Ref # 92015A)	92015-1758	4
WASHER,6MM (Ref # 92022)	92022-1976	1
WASHER,6.2X11X1 (Ref # 92022A)	92022-304	1
COLLAR,L=14 (Ref # 92027)	92027-1134	2
CLAMP,TUBE (Ref # 92037)	92037-147	3
RING-O,53.5X2.6 (Ref # 92055)	92055-112	1
RING-O,WATER PUMP (Ref # 92055A)	92055-1271	1
RING-O (Ref # 92055B)	92055-1282	6
RING-O,33.2X2.4 (Ref # 92055C)	92055-1424	1
PLUG,SENSOR WATER (Ref # 92066)	92066-1183	1
PLUG,PT1/8X7 (Ref # 92066A)	92066-1201	1
BOLT-FLANGED,6X10,BLACK (Ref # 130)	130C0610	1
BOLT-FLANGED-SMALL (Ref # 132)	132J0608	2
BOLT-FLANGED-SMALL (Ref # 132A)	132J0620	3
BOLT-FLANGED-SMALL (Ref # 132B)	132J0825	2
O RING,25MM (Ref # 671)	671B2525	2
BAND,L=202 (Ref # 92072)	92072-1195	1
BAND,L=365 (Ref # 92072A)	92072-1197	1
DAMPER,RUBBER (Ref # 92075)	92075-078	8
DAMPER (Ref # 92075A)	92075-1446	2
SEAL (Ref # 92093)	92093-1214	1
BOLT,6X16 (Ref # 92150)	92150-1187	3
BOLT,6X10 (Ref # 92151)	92151-1344	1
BOLT,6X12 (Ref # 92151A)	92151-1997	2
DAMPER (Ref # 92160)	92160-1007	4
CLAMP (Ref # 92171)	92171-0179	10
SCREW,TAPPING,6X12 (Ref # 92172)	92172-0003	4