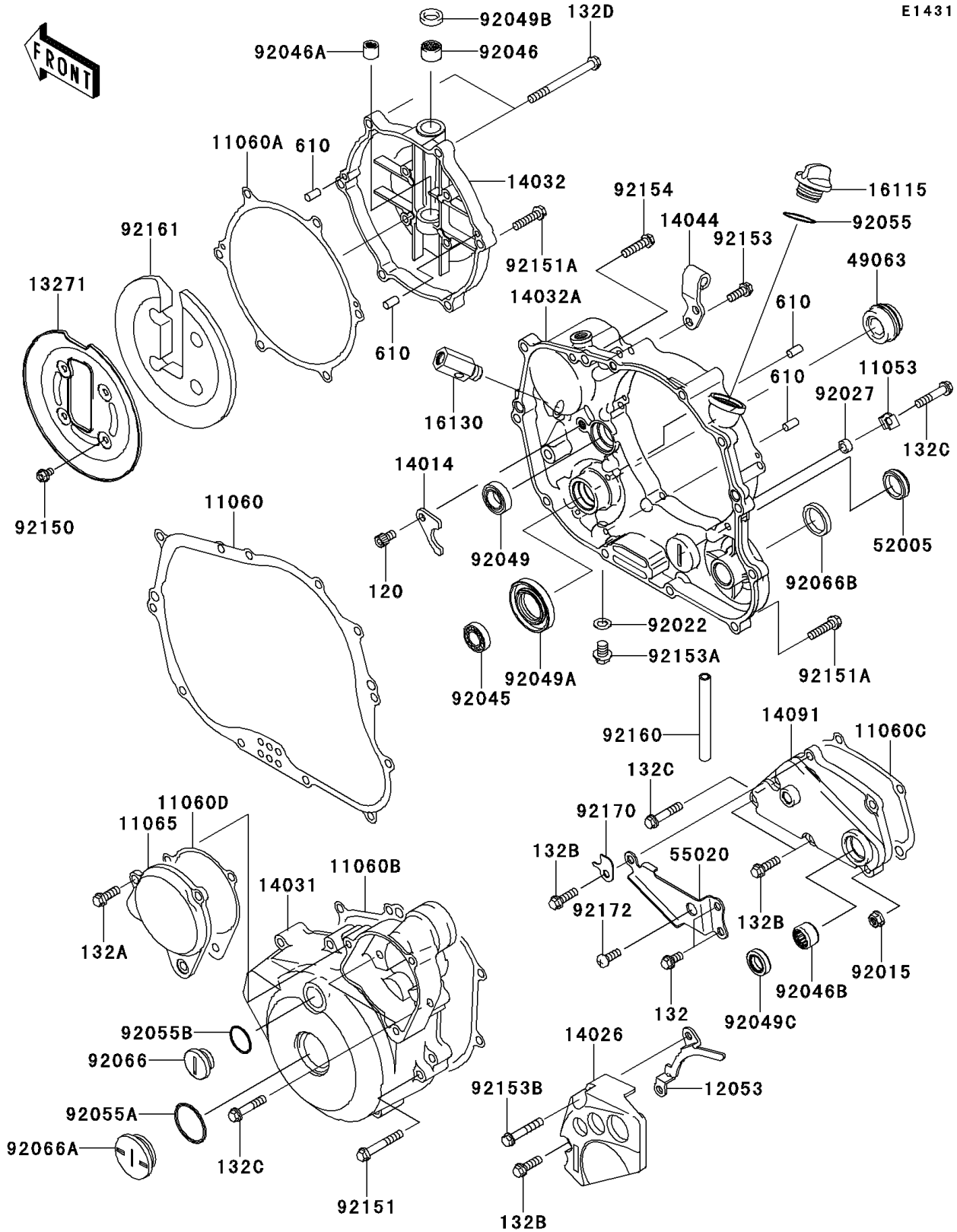


# 2013 KLX® 250S PARTS DIAGRAM

Engine Cover(s)

E1431



# 2013 KLX® 250S PARTS LIST

Engine Cover(s)

ITEM NAME	PART NUMBER	QUANTITY
-----------	-------------	----------