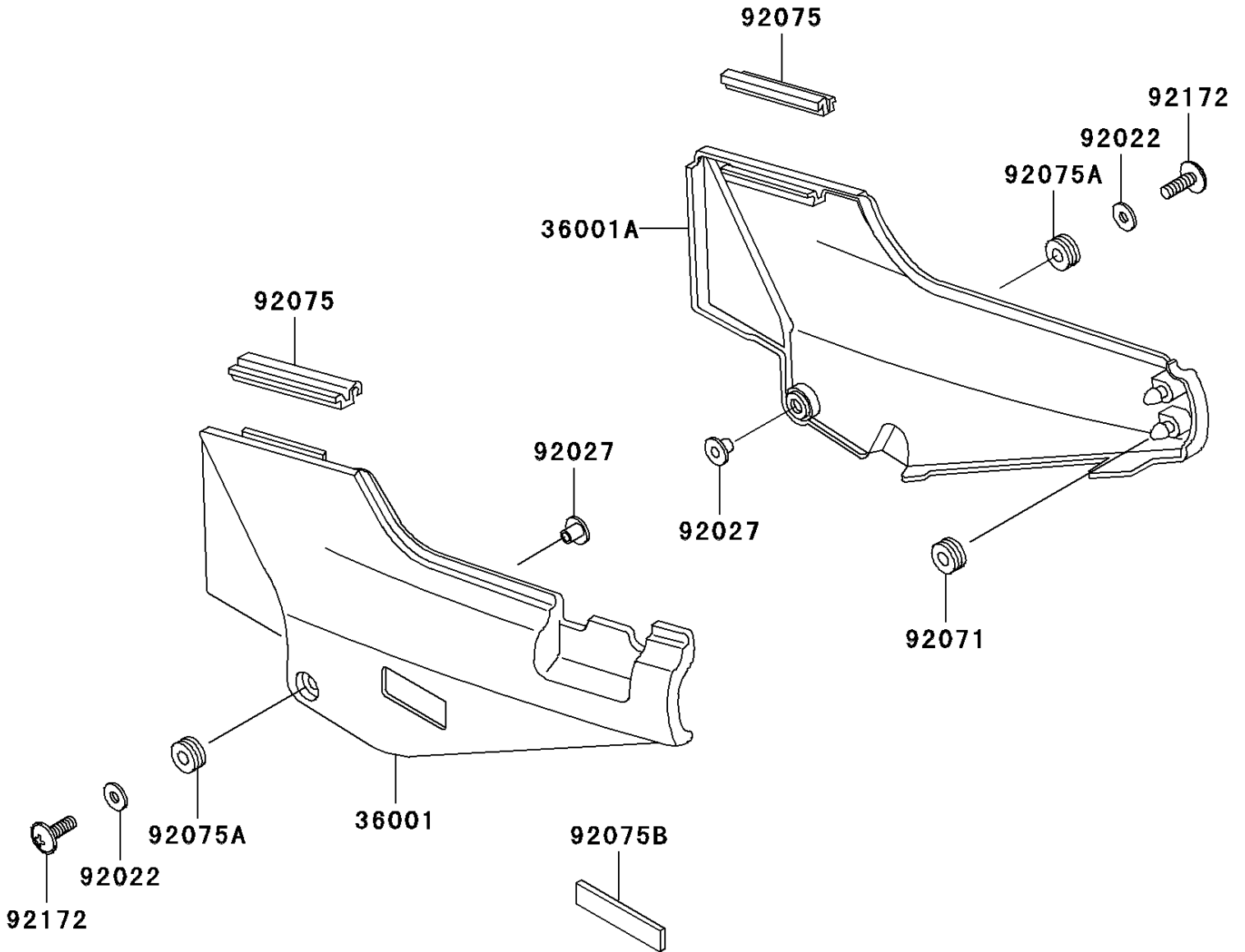


# 2005 Concours PARTS DIAGRAM

Side Covers

F2611



## 2005 Concours PARTS LIST

### Side Covers

ITEM NAME	PART NUMBER	QUANTITY
COVER-SIDE,LH,BEIGE/BRONZE/BLK (Ref # 36001)	36001-1324-385	1
COVER-SIDE,RH,BEIGE/BRONZE/BLK (Ref # 36001A)	36001-1325-385	1
WASHER,6.5X20X1.6,BLACK (Ref # 92022)	92022-1619	2
COLLAR,L=9.1,WHITE (Ref # 92027)	92027-1795	2
GROMMET (Ref # 92071)	92071-056	4
DAMPER,SIDE COVER (Ref # 92075)	92075-1601	2
DAMPER (Ref # 92075A)	92075-1634	2
DAMPER,SIDE COVER (Ref # 92075B)	92075-1854	1
SCREW,6X18 (Ref # 92172)	92172-0002	2