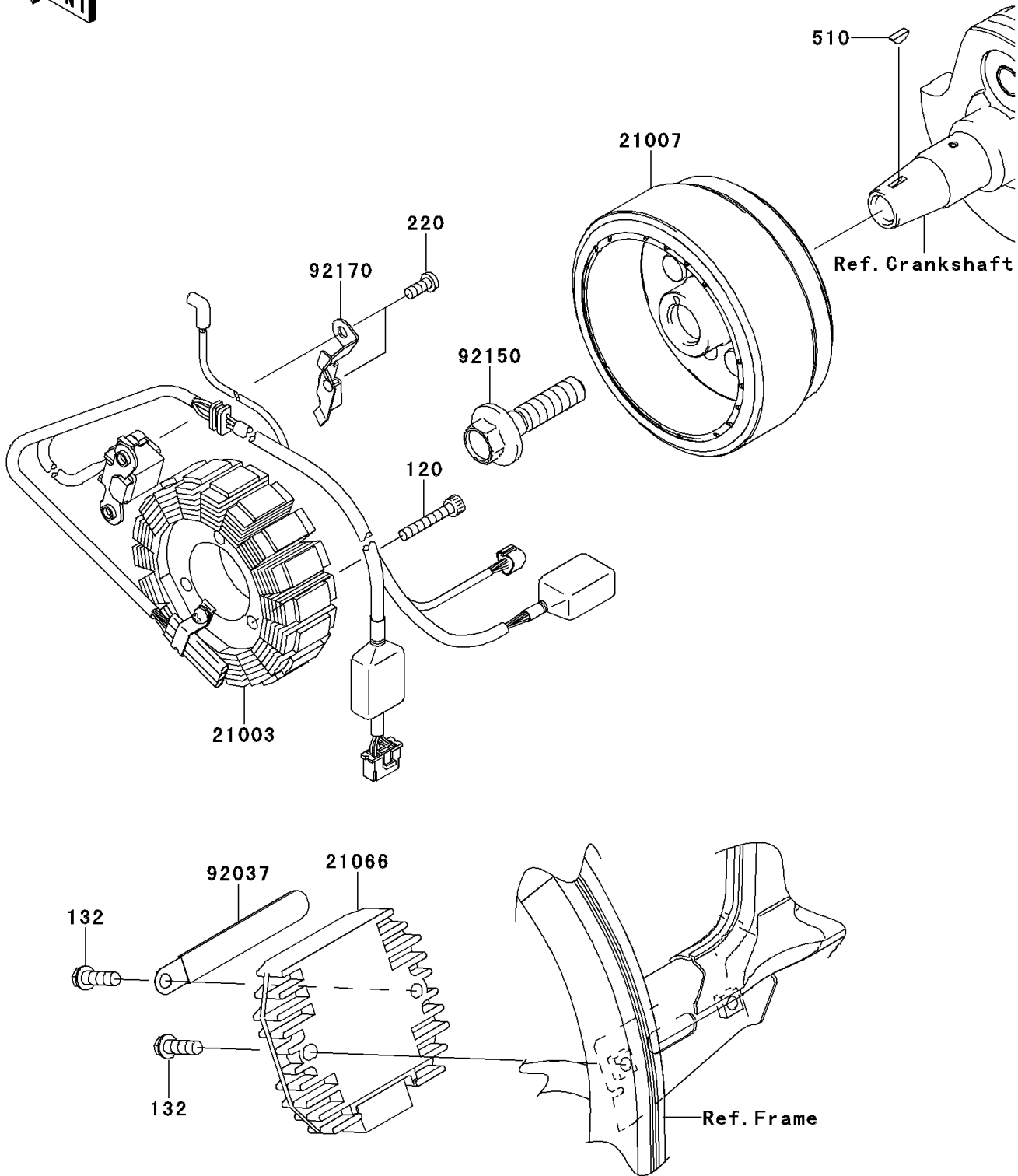


2009 KLX[®] 250S PARTS DIAGRAM

Generator

E1810



2009 KLX® 250S PARTS LIST

Generator

ITEM NAME	PART NUMBER	QUANTITY
BOLT-SOCKET,5X30 (Ref # 120)	120CA0530	3
BOLT-FLANGED-SMALL,6X20 (Ref # 132)	132BA0620	2
SCREW-PAN-CROS,5X12 (Ref # 220)	220AA0512	2
KEY-WOODRUFF (Ref # 510)	510A3100	1
STATOR (Ref # 21003)	21003-0087	1
ROTOR,MAGNETO (Ref # 21007)	21007-0118	1
REGULATOR-VOLTAGE (Ref # 21066)	21066-0027	1
CLAMP (Ref # 92037)	92037-1993	1
BOLT,12X50 (Ref # 92150)	92150-1708	1
CLAMP (Ref # 92170)	92170-1346	1