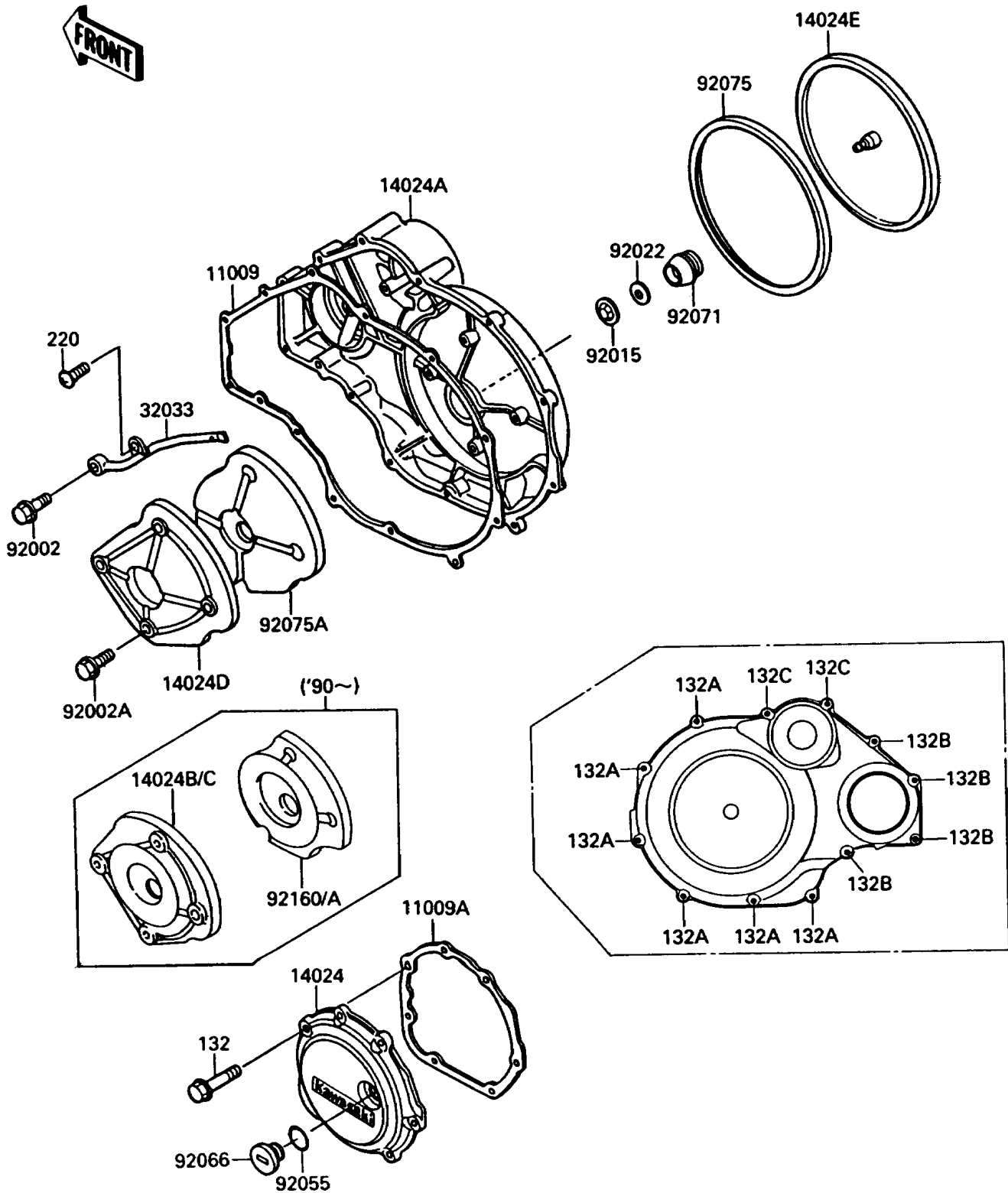


# 1991 Concours PARTS DIAGRAM

Engine Cover

E1431



# 1991 Concours PARTS LIST

## Engine Cover

| ITEM NAME                            | PART NUMBER | QUANTITY |
|--------------------------------------|-------------|----------|
| GASKET,CLUTCH COVER (Ref # 11009)    | 11009-1860  | 1        |
| GASKET,COVER,LH (Ref # 11009A)       | 11009-1863  | 1        |
| COVER,LH (Ref # 14024)               | 14024-1066  | 1        |
| COVER,CLUTCH (Ref # 14024A)          | 14024-1067  | 1        |
| COVER,SOUND ARRESTER (Ref # 14024B)  | 14024-1925  | 1        |
| COVER,CLUTCH COVER (Ref # 14024E)    | 14025-1814  | 1        |
| PIPE,CLUTCH COVER (Ref # 32033)      | 32033-1204  | 1        |
| BOLT,BANJO,8X20 (Ref # 92002)        | 92001-1855  | 1        |
| BOLT,6X10 (Ref # 92002A)             | 92002-1449  | 4        |
| NUT,LOCK,5MM (Ref # 92015)           | 92018-004   | 1        |
| WASHER,5.5X20X1.2 (Ref # 92022)      | 92022-104   | 1        |
| RING-O (Ref # 92055)                 | 92055-1146  | 1        |
| PLUG,COVER,LH (Ref # 92066)          | 92066-1218  | 1        |
| GROMMET,CLUTCH COVER (Ref # 92071)   | 92071-1108  | 1        |
| DAMPER,CLUTCH COVER (Ref # 92075)    | 92075-1594  | 1        |
| DAMPER,SOUND ARRESTER (Ref # 92160)  | 92160-1209  | 1        |
| BOLT-FLANGED-SMALL (Ref # 132)       | 132J0620    | 7        |
| BOLT-FLANGED-SMALL (Ref # 132A)      | 132J0625    | 6        |
| BOLT-FLANGED-SMALL,6X40 (Ref # 132B) | 132J0640    | 4        |
| BOLT-FLANGED-SMALL,6X55 (Ref # 132C) | 132J0655    | 2        |
| SCREW-PAN-CROS (Ref # 220)           | 220B0510    | 1        |