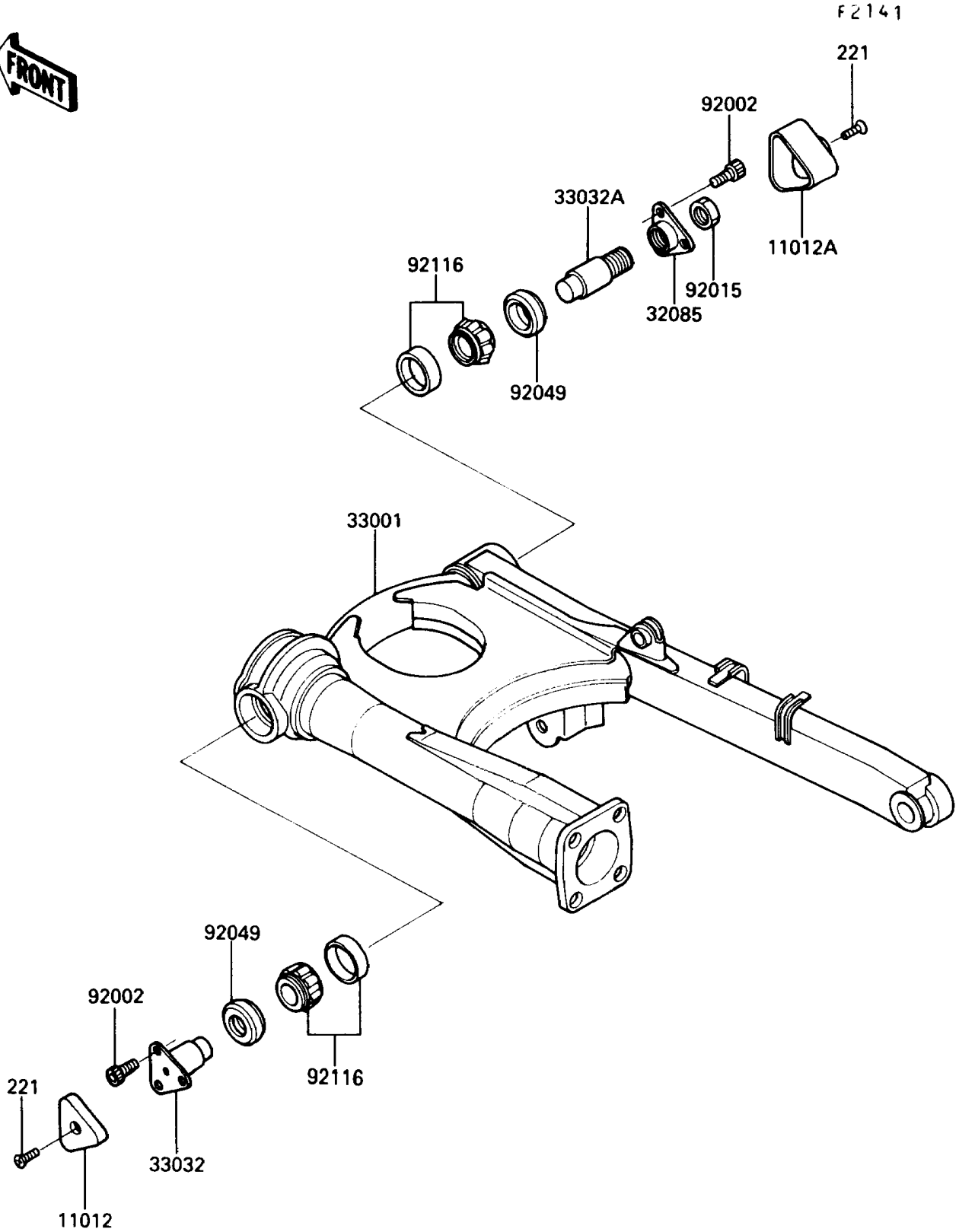


# 1991 Concours PARTS DIAGRAM

Swing Arm



# 1991 Concours PARTS LIST

## Swing Arm

ITEM NAME	PART NUMBER	QUANTITY
CAP,SWING ARM,LH (Ref # 11012)	11012-1512	1
CAP,SWING ARM,RH (Ref # 11012A)	11012-1518	1
STOPPER,SWING ARM SHAFT,RH (Ref # 32085)	32085-1234	1
ARM-COMP-SWING (Ref # 33001)	33001-1267	1
SHAFT-SWING ARM,LH (Ref # 33032)	33032-1122	1
SHAFT-SWING ARM,RH (Ref # 33032A)	33032-1123	1
BOLT,SOCKET,8X20 (Ref # 92002)	92002-1178	6
NUT,20MM (Ref # 92015)	92015-1589	1
SEAL-OIL,26X42X6 (Ref # 92049)	92049-1256	2
BEARING-ROLLER,H1-CAP 32004JR (Ref # 92116)	92116-1061	2
SCREW-CSK-CROS (Ref # 221)	221C0620	2