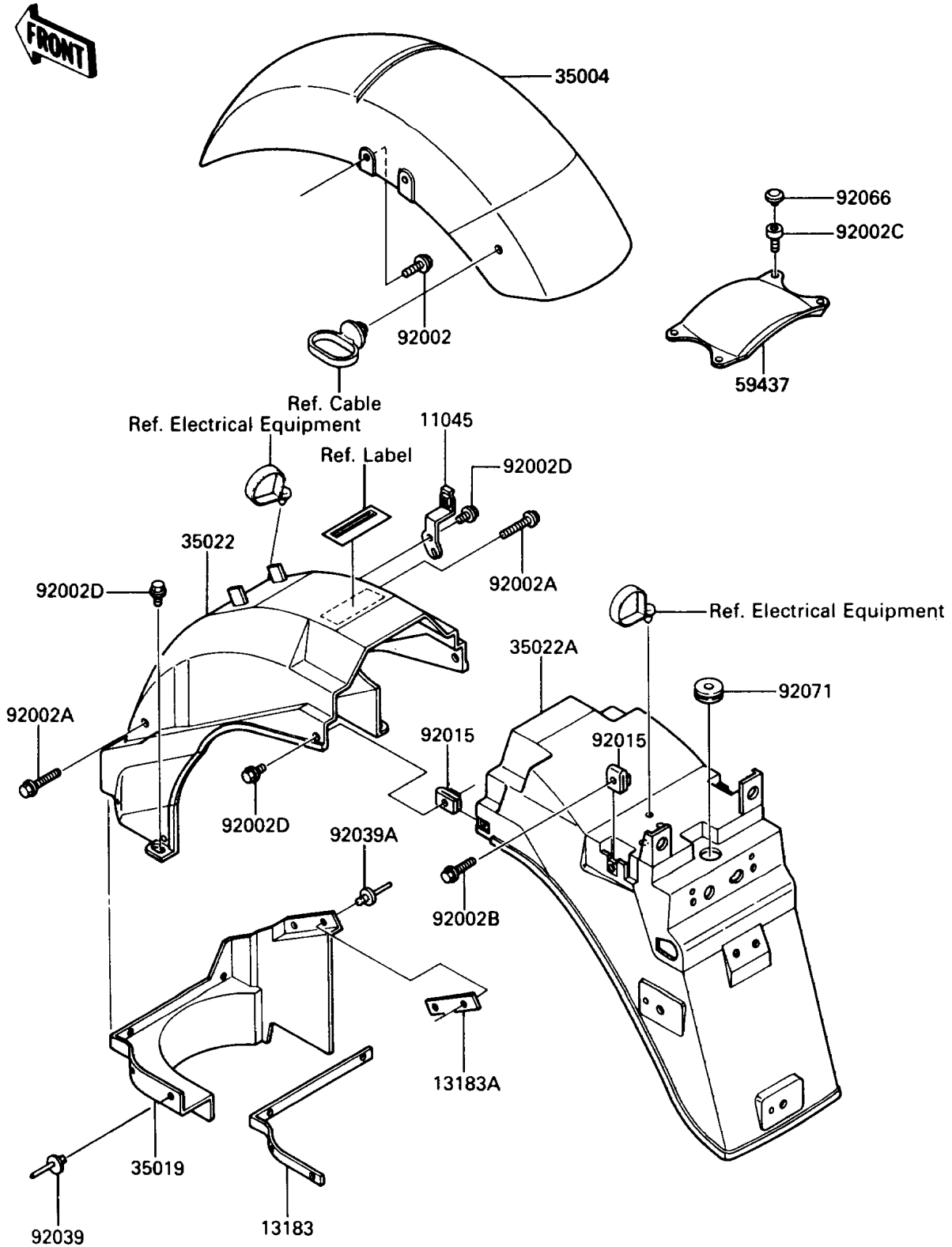


# 1989 Concours (Canada Only) PARTS DIAGRAM

Fender

F217U



## 1989 Concours (Canada Only) PARTS LIST

### Fender

ITEM NAME	PART NUMBER	QUANTITY
BRACKET,RR BRAKE RESERVOIR (Ref # 11045)	11044-1782	1
PLATE,REAR FENDER FLAP,LH (Ref # 13183)	13183-1021	1
PLATE,REAR FENDER FLAP,RH (Ref # 13183A)	13183-1022	1
FENDER-FRONT,RED/BLACK (Ref # 35004)	35004-1191-CR	1
FLAP,REAR FENDER,FR (Ref # 35019)	35019-1183	1
FENDER-COMP-REAR,FR (Ref # 35022)	35022-1223	1
FENDER-COMP-REAR,RR,BLACK (Ref # 35022A)	35022-1224-6Z	1
STABILIZER,C.P.RED (Ref # 59437)	59437-1056-A5	1
BOLT,6X16 (Ref # 92002)	92002-1219	4
BOLT,6X55 (Ref # 92002A)	92002-1707	2
BOLT,6X40 (Ref # 92002B)	92002-1711	2
BOLT,SOCKET,8X18 (Ref # 92002C)	92002-1835	4
BOLT,6X16 (Ref # 92002D)	92002-1852	5
NUT,6MM (Ref # 92015)	92015-1602	4
RIVET (Ref # 92039)	92039-1106	1
RIVET (Ref # 92039A)	92039-1147	5
PLUG (Ref # 92066)	92066-1216	4
GROMMET,SENSOR LEAD (Ref # 92071)	92071-1058	1