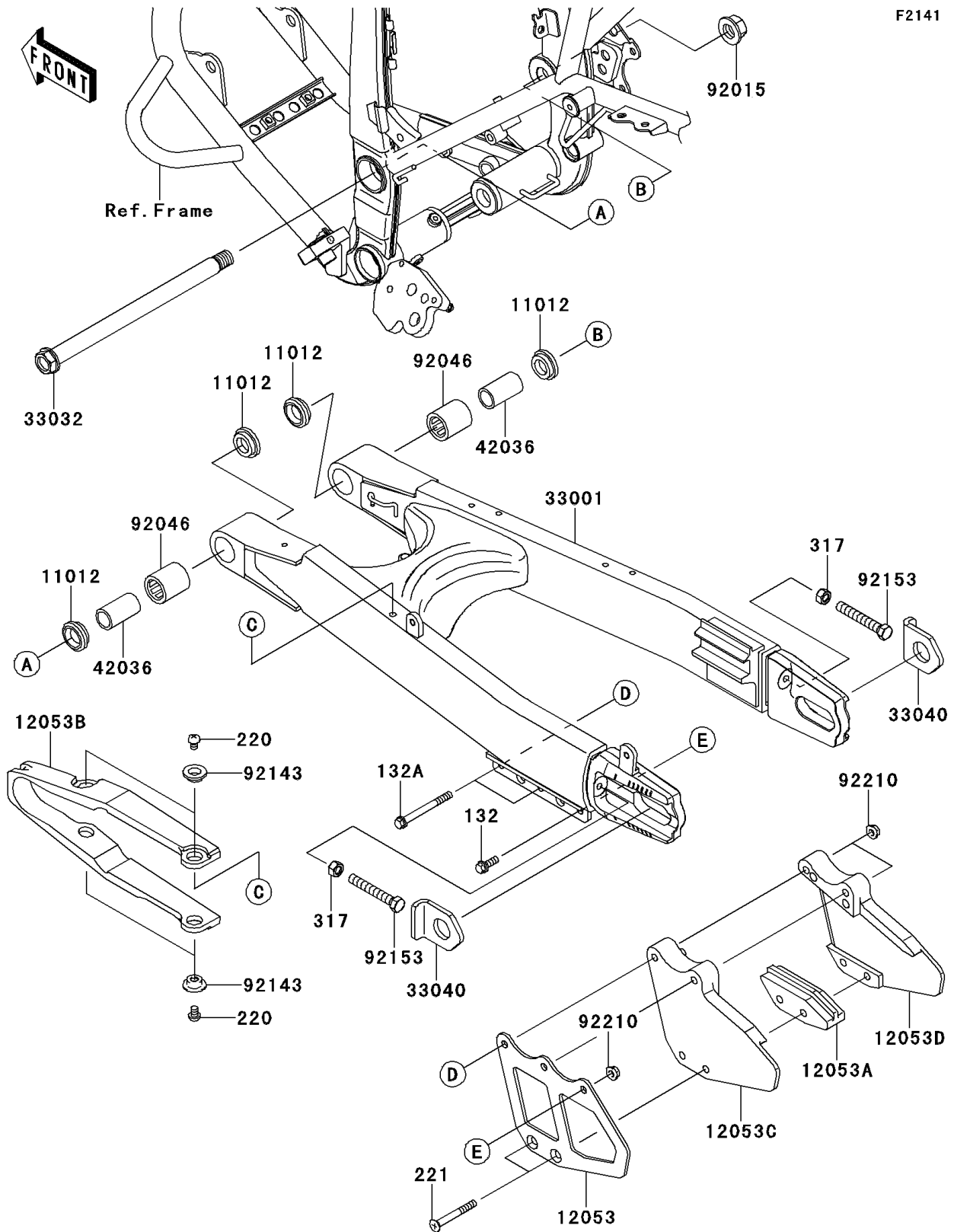


# 2009 KLX® 250S PARTS DIAGRAM

Swingarm



# 2009 KLX®250S PARTS LIST

Swingarm

ITEM NAME	PART NUMBER	QUANTITY
-----------	-------------	----------