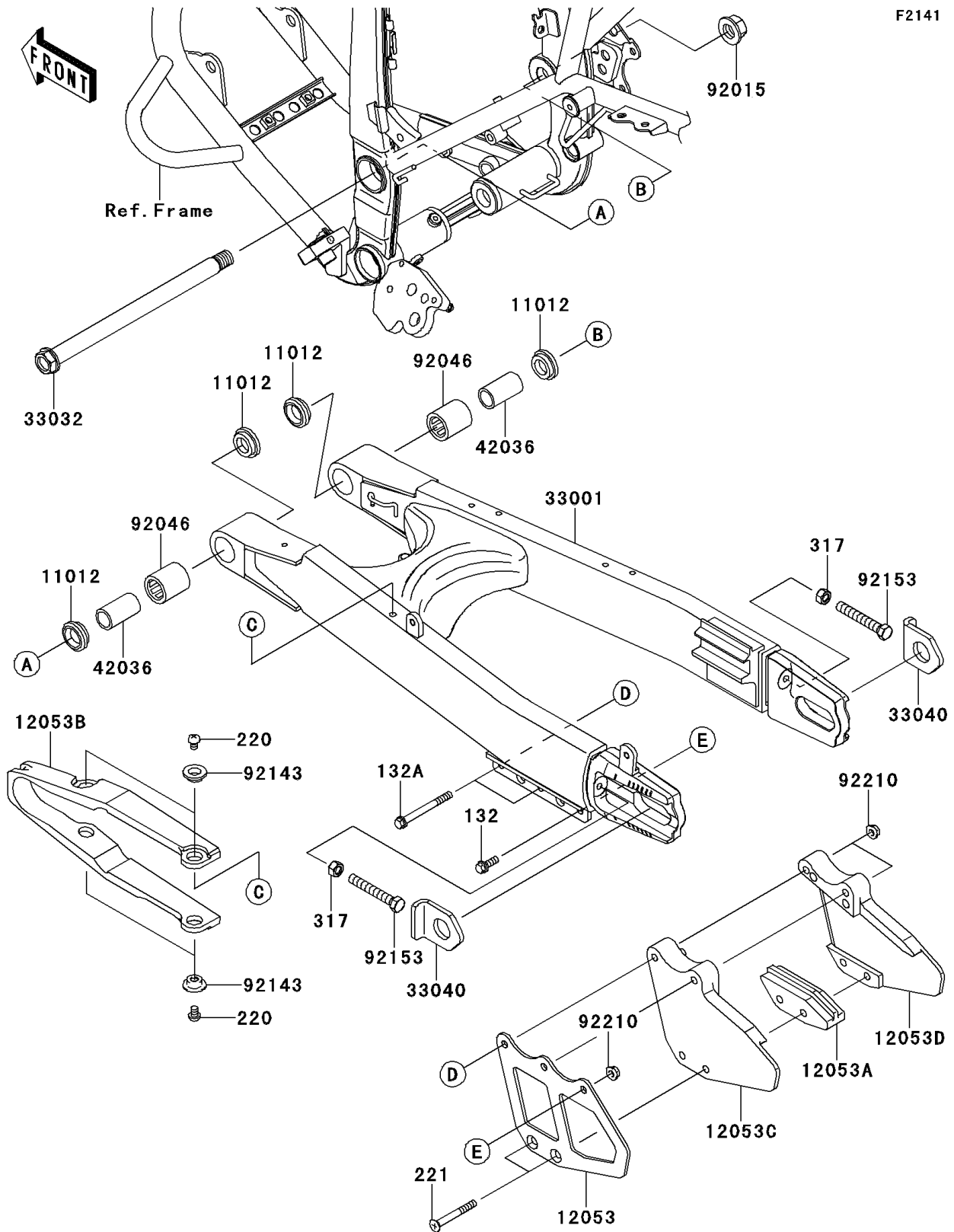


2013 KLX® 250S PARTS DIAGRAM

Swingarm



F2141

2013 KLX®250S PARTS LIST

Swingarm

ITEM NAME

PART NUMBER

QUANTITY
