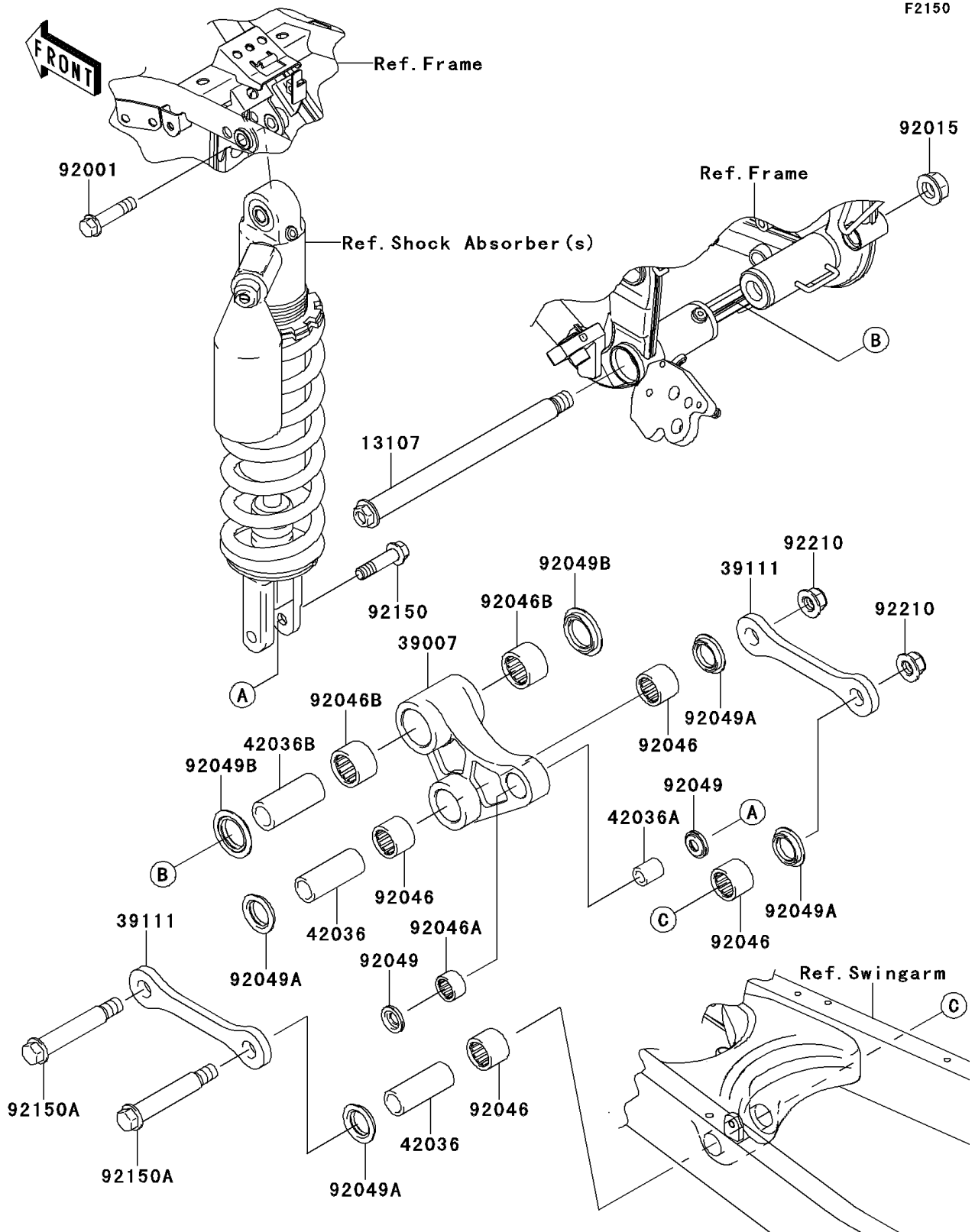


2009 KLX® 250S PARTS DIAGRAM

Rear Suspension



2009 KLX®250S PARTS LIST

Rear Suspension

ITEM NAME	PART NUMBER	QUANTITY
-----------	-------------	----------