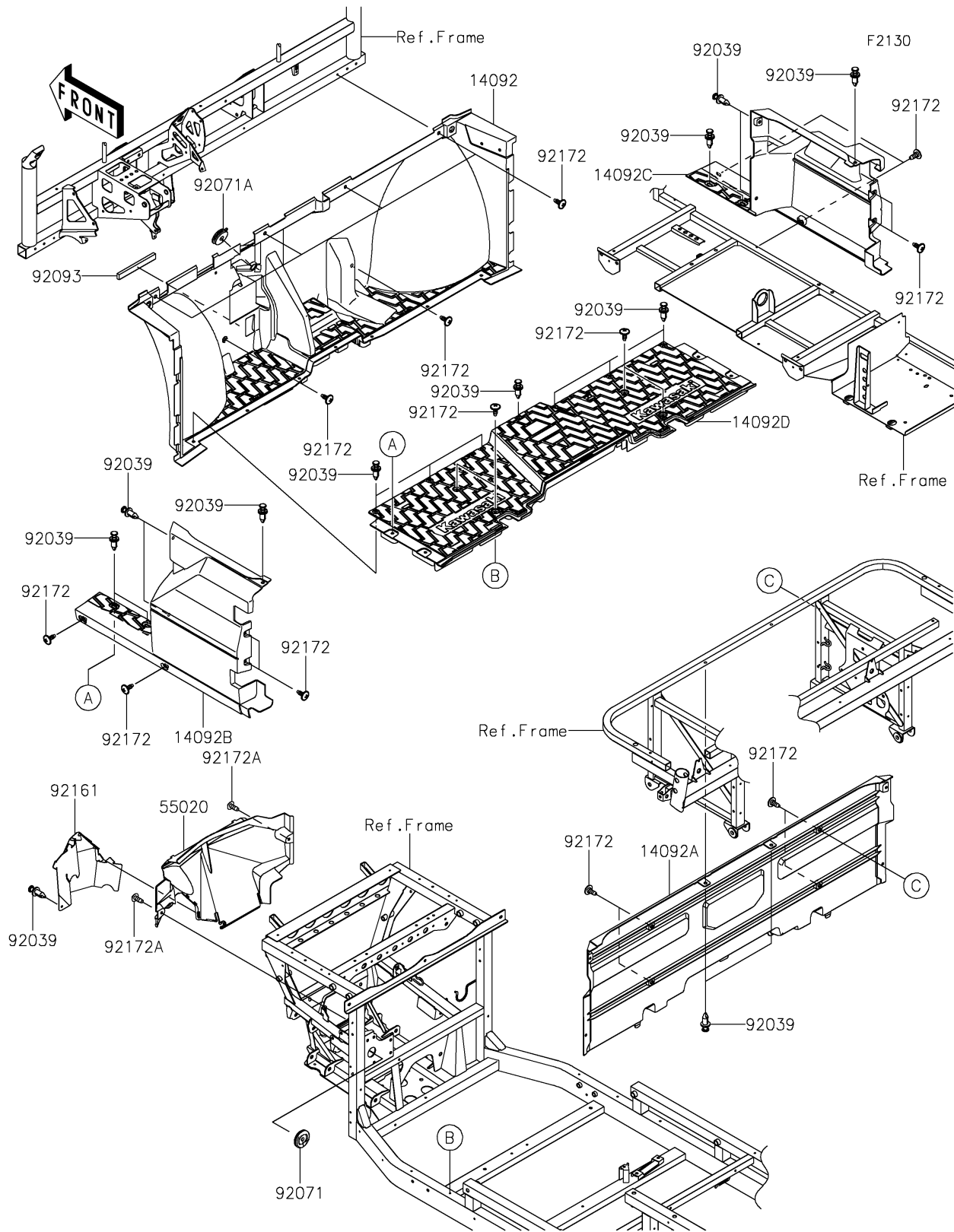


# 2022 MULE PRO-DX™ EPS DIESEL PARTS DIAGRAM

## Frame Fittings(Front)



## 2022 MULE PRO-DX™ EPS DIESEL PARTS LIST

### Frame Fittings(Front)

| ITEM NAME                         | PART NUMBER | QUANTITY |
|-----------------------------------|-------------|----------|
| COVER,FR FLOOR (Ref # 14092)      | 14092-1184  | 1        |
| COVER,FR SEAT (Ref # 14092A)      | 14092-1185  | 1        |
| COVER,SIDE,LH,FR (Ref # 14092B)   | 14092-1188  | 1        |
| COVER,SIDE,RH,FR (Ref # 14092C)   | 14092-1189  | 1        |
| COVER,FLOOR,BOTTOM (Ref # 14092D) | 14092-1196  | 1        |
| GUARD (Ref # 55020)               | 55020-0961  | 1        |
| RIVET (Ref # 92039)               | 92039-0776  | 20       |
| GROMMET,9X45X9 (Ref # 92071)      | 92071-0728  | 1        |
| GROMMET,8X22X8 (Ref # 92071A)     | 92071-0753  | 1        |
| SEAL,10X20X165 (Ref # 92093)      | 92093-0617  | 1        |
| DAMPER (Ref # 92161)              | 92161-1649  | 1        |
| SCREW,6X16 (Ref # 92172)          | 92172-0711  | 22       |
| SCREW,TAPPING,6X16 (Ref # 92172A) | 92172-0739  | 2        |