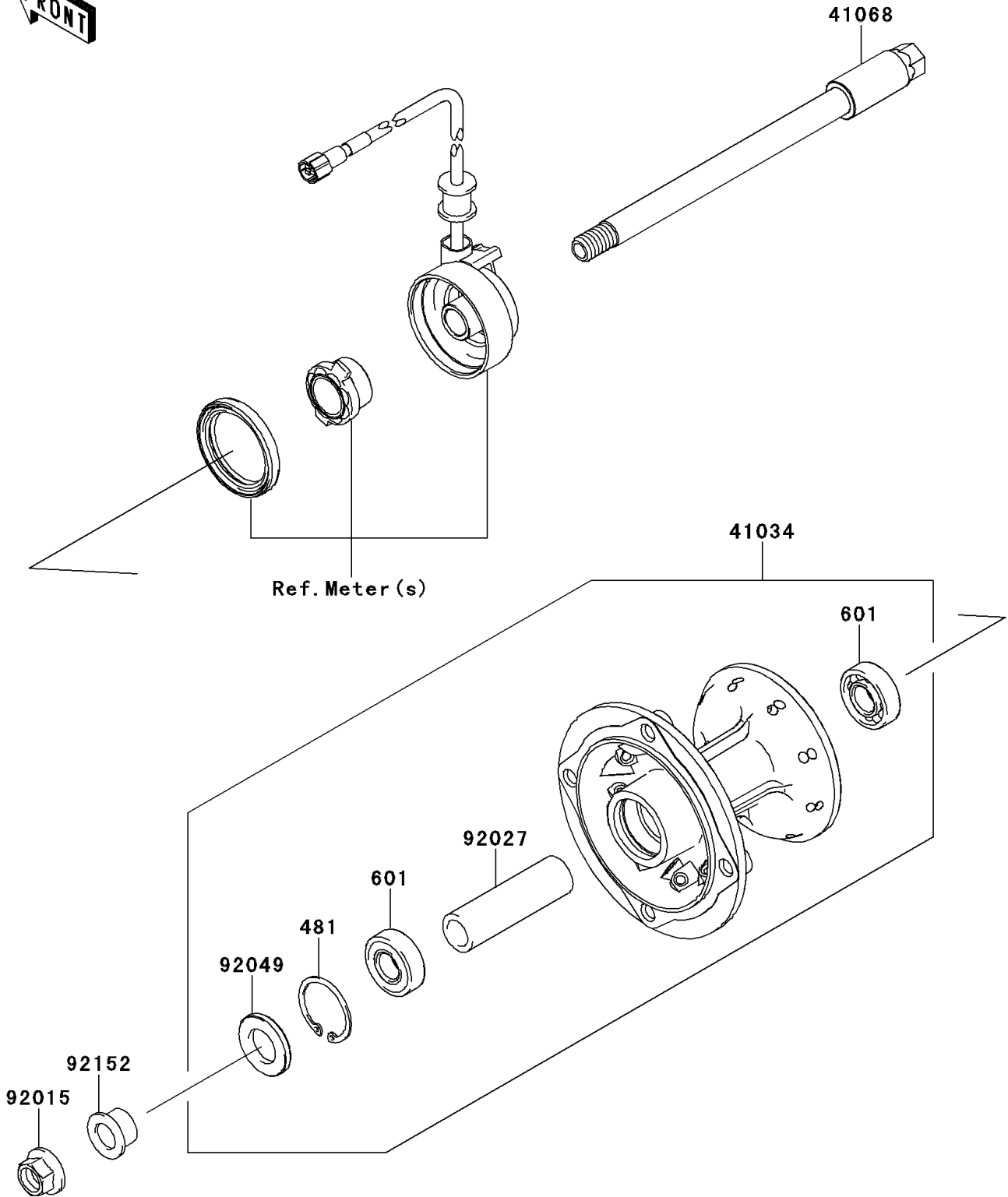


2009 KLX® 250S PARTS DIAGRAM

Front Hub

F2230



2009 KLX® 250S PARTS LIST

Front Hub

ITEM NAME	PART NUMBER	QUANTITY
CIRCLIP-TYPE-C,35MM (Ref # 481)	481J3500	1
BEARING-BALL,#6202UG (Ref # 601)	601B6202UG	2
DRUM-ASSY,FRONT BRAKE (Ref # 41034)	41034-0051	1
AXLE,FR (Ref # 41068)	41068-0062	1
NUT,14MM (Ref # 92015)	92015-1407	1
COLLAR,15.2X22.2X75 (Ref # 92027)	92027-1958	1
SEAL-OIL (Ref # 92049)	92049-0136	1
COLLAR,FR AXLE,L=14 (Ref # 92152)	92152-0528	1