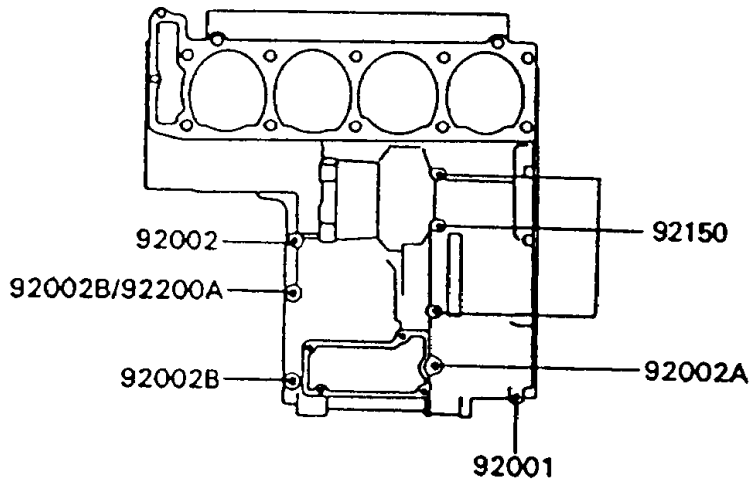


# 1994 Concours PARTS DIAGRAM

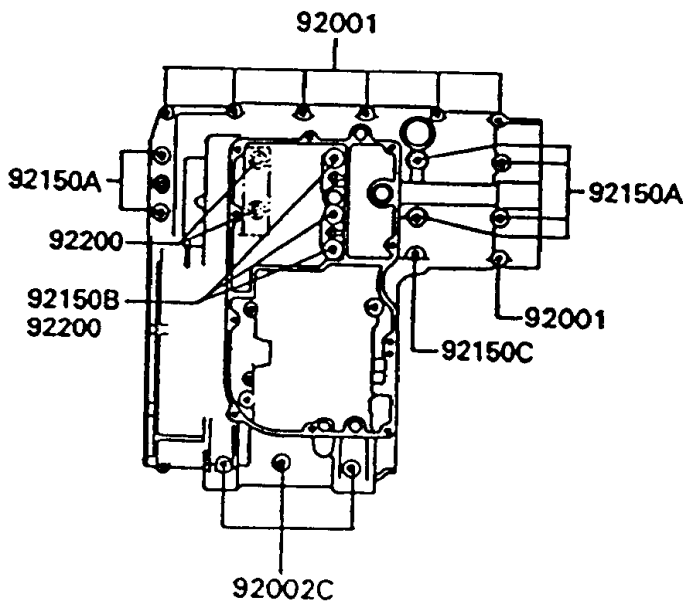
Crankcase Bolt Pattern

E1412

Upper Case



Lower Case



# 1994 Concours PARTS LIST

## Crankcase Bolt Pattern

ITEM NAME	PART NUMBER	QUANTITY
BOLT,6X38 (Ref # 92001)	92001-1899	8
BOLT,6X55 (Ref # 92002)	92002-1054	1
BOLT,6X85 (Ref # 92002A)	92002-1306	1
BOLT,8X63 (Ref # 92002B)	92002-1308	2
BOLT,6X120 (Ref # 92002C)	92002-1654	3
BOLT,6X115 (Ref # 92150)	92150-1140	3
BOLT,9X90 (Ref # 92150A)	92150-1364	6
BOLT,9X140 (Ref # 92150B)	92150-1365	3
BOLT,7X38 (Ref # 92150C)	92150-1367	1
WASHER,9.5X18X1.2 (Ref # 92200)	92200-1037	5
WASHER,8.5X16X1.2 (Ref # 92200A)	92200-1063	1