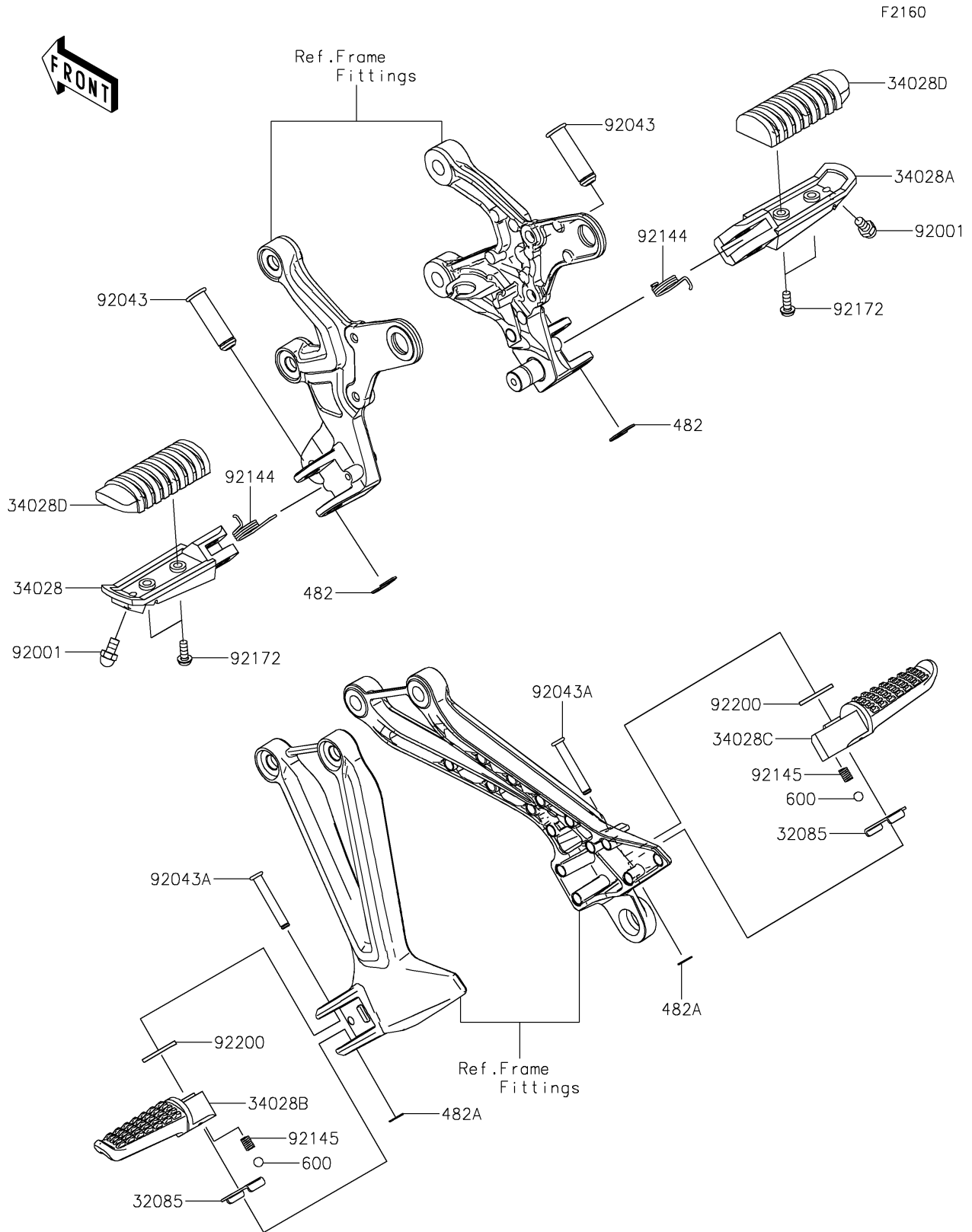


2022 Z900RS 50th ANNIVERSARY PARTS DIAGRAM

Footrests



2022 Z900RS 50th ANNIVERSARY PARTS LIST

Footrests

| ITEM NAME | PART NUMBER | QUANTITY |
|----------------------------------|-------------|----------|
| STOPPER,REAR STEP (Ref # 32085) | 32085-0047 | 2 |
| STEP,FR,LH (Ref # 34028) | 34028-0352 | 1 |
| STEP,FR,RH (Ref # 34028A) | 34028-0353 | 1 |
| STEP,RR,LH (Ref # 34028B) | 34028-0380 | 1 |
| STEP,RR,RH (Ref # 34028C) | 34028-0381 | 1 |
| STEP,RUBBER (Ref # 34028D) | 34028-1430 | 2 |
| BOLT,BANK SENSOR (Ref # 92001) | 92001-1905 | 2 |
| PIN,12X42.5 (Ref # 92043) | 92043-1594 | 2 |
| PIN,6X40 (Ref # 92043A) | 92043-1595 | 2 |
| SPRING,STEP RETURN (Ref # 92144) | 92144-1567 | 2 |
| SPRING (Ref # 92145) | 92145-1319 | 2 |
| SCREW,5X14 (Ref # 92172) | 92172-0976 | 4 |
| WASHER,16X26X2.3 (Ref # 92200) | 92200-0043 | 2 |
| CIRCLIP-TYPE-E,10MM (Ref # 482) | 482EA0100 | 2 |
| CIRCLIP-TYPE-E (Ref # 482A) | 482EA5000 | 2 |
| BALL-STEEL,1/4 (Ref # 600) | 600A0800 | 2 |