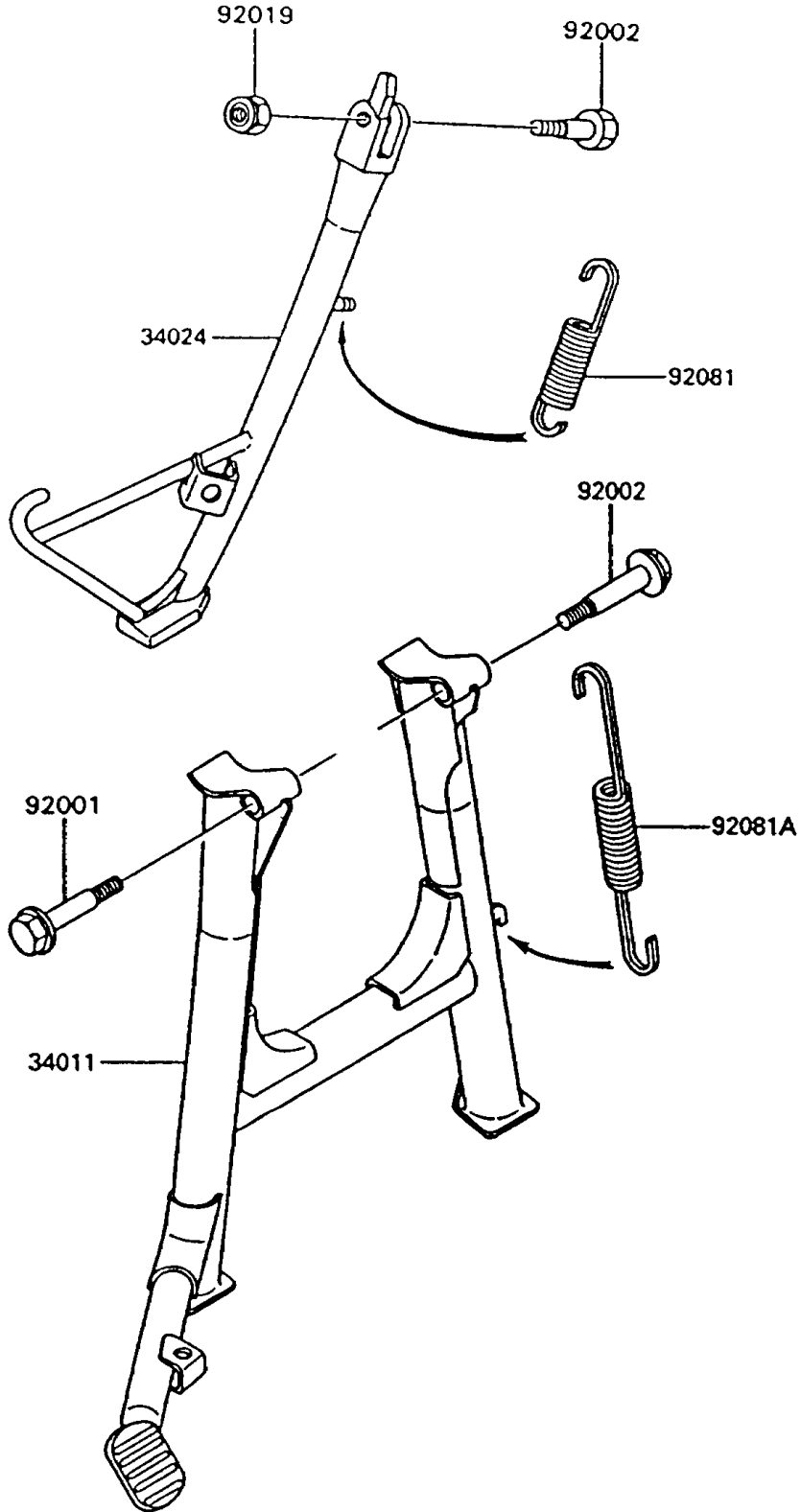


1993 Concours PARTS DIAGRAM

Stand(s)

F2190



1993 Concours PARTS LIST

Stand(s)

| ITEM NAME | PART NUMBER | QUANTITY |
|------------------------------------|-------------|----------|
| STAND-CENTER (Ref # 34011) | 34011-1134 | 1 |
| STAND-SIDE (Ref # 34024) | 34024-1208 | 1 |
| BOLT,CENTER STAND (Ref # 92001) | 92001-1880 | 2 |
| BOLT,SIDE STAND (Ref # 92002) | 92002-1813 | 1 |
| NUT,LOCK,10MM (Ref # 92019) | 92019-021 | 1 |
| SPRING,SIDE STAND (Ref # 92081) | 92081-1676 | 1 |
| SPRING,CENTER STAND (Ref # 92081A) | 92081-1828 | 1 |