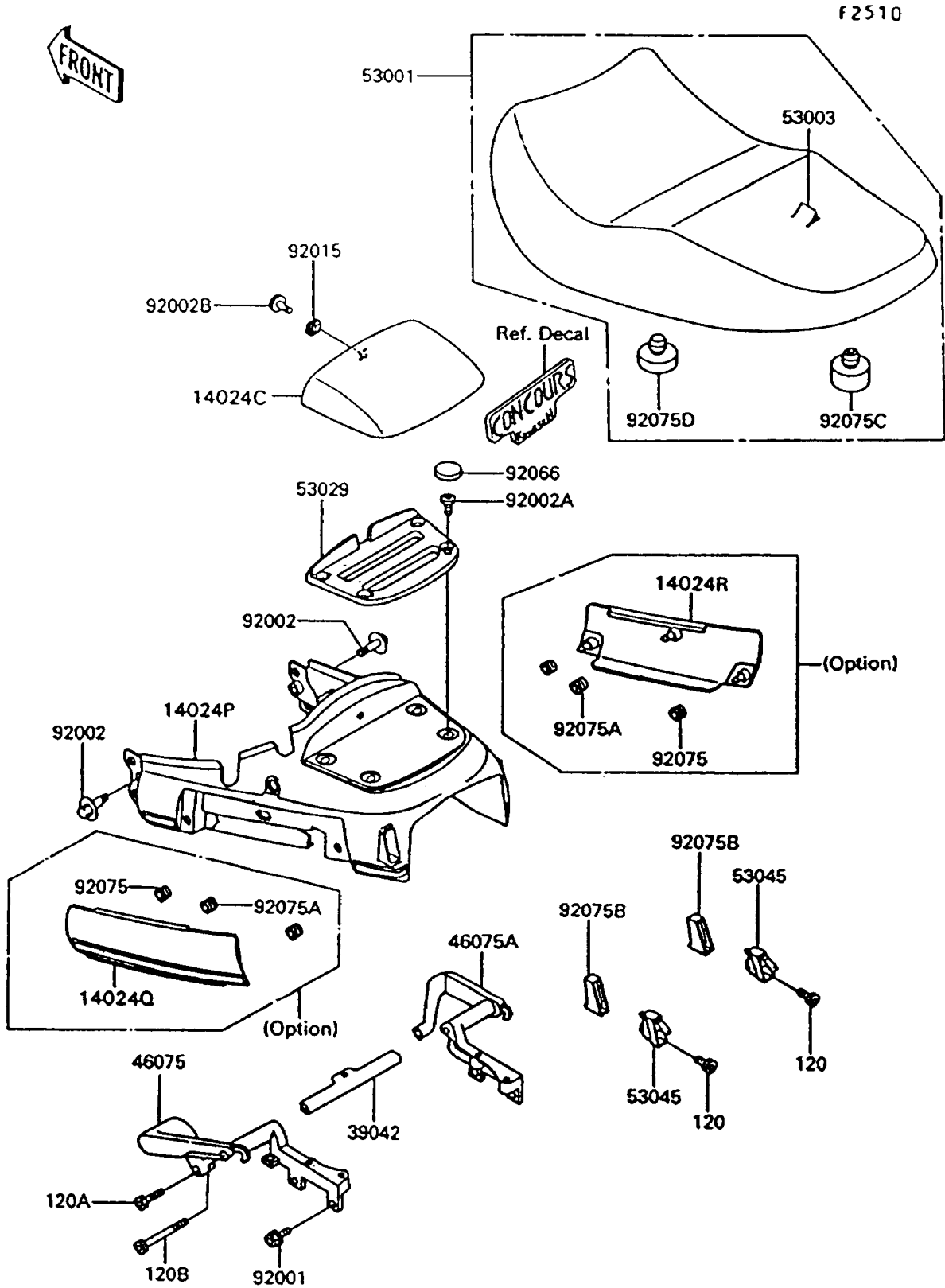


1993 Concours PARTS DIAGRAM

Seat(ZG1000-A7/A8)



1993 Concours PARTS LIST

Seat(ZG1000-A7/A8)

ITEM NAME	PART NUMBER	QUANTITY
COVER,CARRIER,EBONY (Ref # 14024C)	14024-1227-H8	1
COVER,SEAT,EBONY (Ref # 14024P)	14024-5208-H8	1
COVER,SEAT COVER,LH,EBONY (Ref # 14024Q)	14024-5209-H8	1
COVER,SEAT COVER,RH,EBONY (Ref # 14024R)	14024-5210-H8	1
CROSSMEMBER,SEAT GRIP (Ref # 39042)	39042-1052	1
GRIP,SEAT,RR,LH (Ref # 46075)	46075-1070	1
GRIP,SEAT,RR,RH (Ref # 46075A)	46075-1071	1
SEAT-ASSY,DUAL,BLACK (Ref # 53001)	53001-1506-MA	1
LEATHER,SEAT,BLACK (Ref # 53003)	53003-1162-MA	1
CARRIER,TAIL (Ref # 53029)	53029-1069	1
HOOK-ASSY,BUNGEE CORD (Ref # 53045)	53045-1052	2
BOLT,8X18 (Ref # 92001)	92001-1359	4
BOLT,6X25 (Ref # 92002)	92002-1135	2
BOLT,SOCKET,8X23.5 (Ref # 92002A)	92002-1598	4
BOLT,5MM (Ref # 92002B)	92002-1724	1
NUT,5MM (Ref # 92015)	92015-1710	1
PLUG,19X6 (Ref # 92066)	92066-1251	4
DAMPER (Ref # 92075)	92075-051	4
DAMPER (Ref # 92075A)	92075-1470	2
DAMPER,BUNGEE CORD HOOK (Ref # 92075B)	92075-1823	2
DAMPER (Ref # 92075C)	92075-1876	2
DAMPER (Ref # 92075D)	92075-281	5
BOLT-SOCKET,6X14 (Ref # 120)	120P0614	2
BOLT-SOCKET,8X25,BLACK (Ref # 120A)	120S0825	2
BOLT-SOCKET (Ref # 120B)	120S0890	2