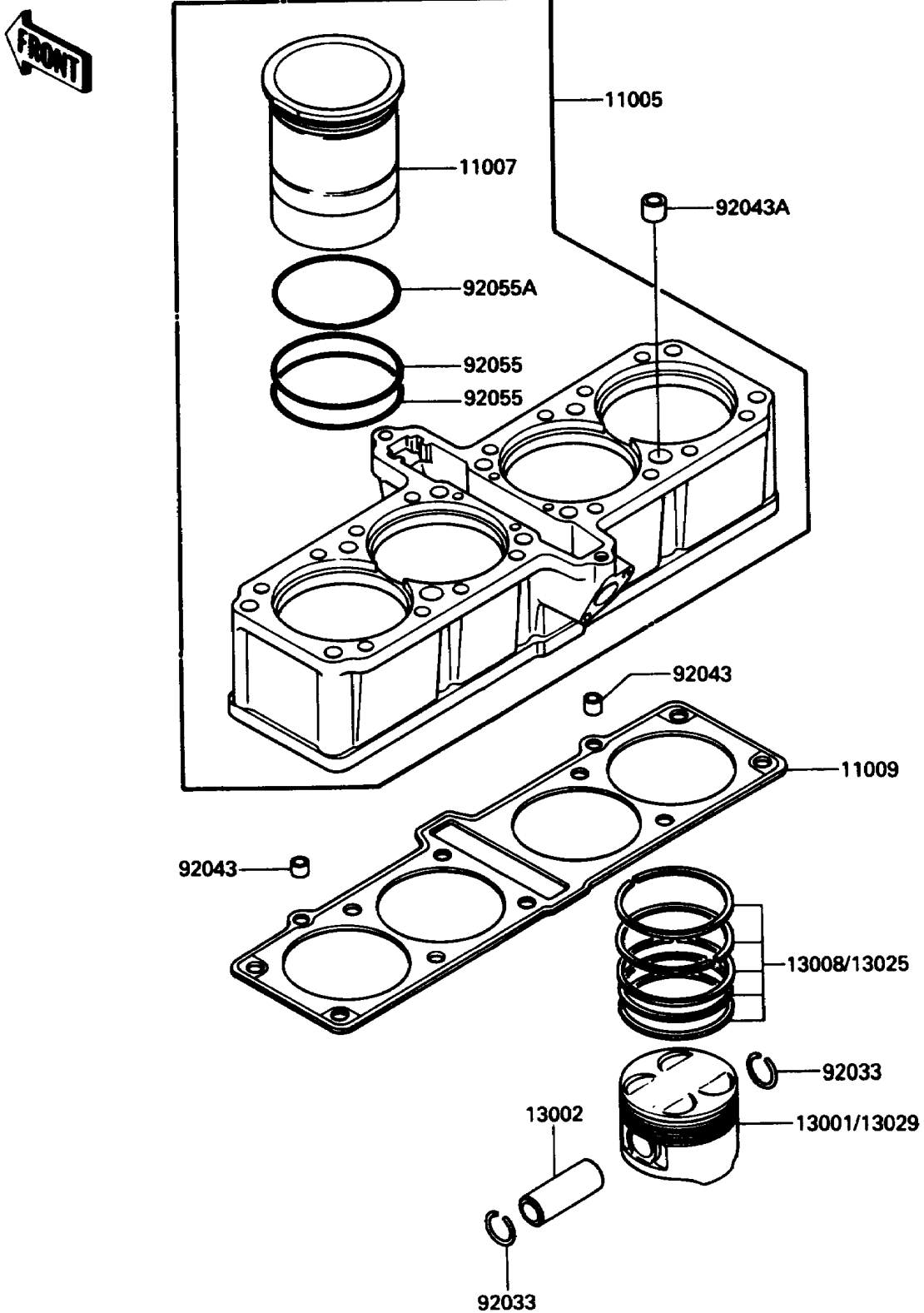


# 1988 Voyager XII PARTS DIAGRAM

Cylinder/Piston

E1120-0085



# 1988 Voyager XII PARTS LIST

## Cylinder/Piston

| ITEM NAME                                | PART NUMBER | QUANTITY |
|--|-------------|----------|
| CYLINDER-ENGINE (Ref # 11005)            | 11005-1537  | 1        |
| LINER-CYLINDER (Ref # 11007)             | 11007-1084  | 4        |
| GASKET,CYLINDER BASE (Ref # 11009)       | 11009-1554  | 1        |
| PISTON-ENGINE,STD (Ref # 13001)          | 13001-1222  | 4        |
| PIN-PISTON (Ref # 13002)                 | 13002-1060  | 4        |
| RING-SET-PISTON,STD (Ref # 13008)        | 13008-1071  | 4        |
| RING-SNAP (Ref # 92033)                  | 92033-1207  | 8        |
| PIN,8.2X10X14 (Ref # 92043)              | 92043-1264  | 2        |
| PIN,11.5X14X14 (Ref # 92043A)            | 92043-1279  | 2        |
| RING-O,84.4X2.4 (Ref # 92055)            | 92055-1323  | 8        |
| RING-O,82.5X2 (Ref # 92055A)             | 92055-1331  | 4        |
| RING-SET-PISTON L,O/S 0.50 (Ref # 13025) | 13025-1070  | 4        |
| PISTON-ENGINE L,O/S 0.50 (Ref # 13029)   | 13029-1143  | 4        |