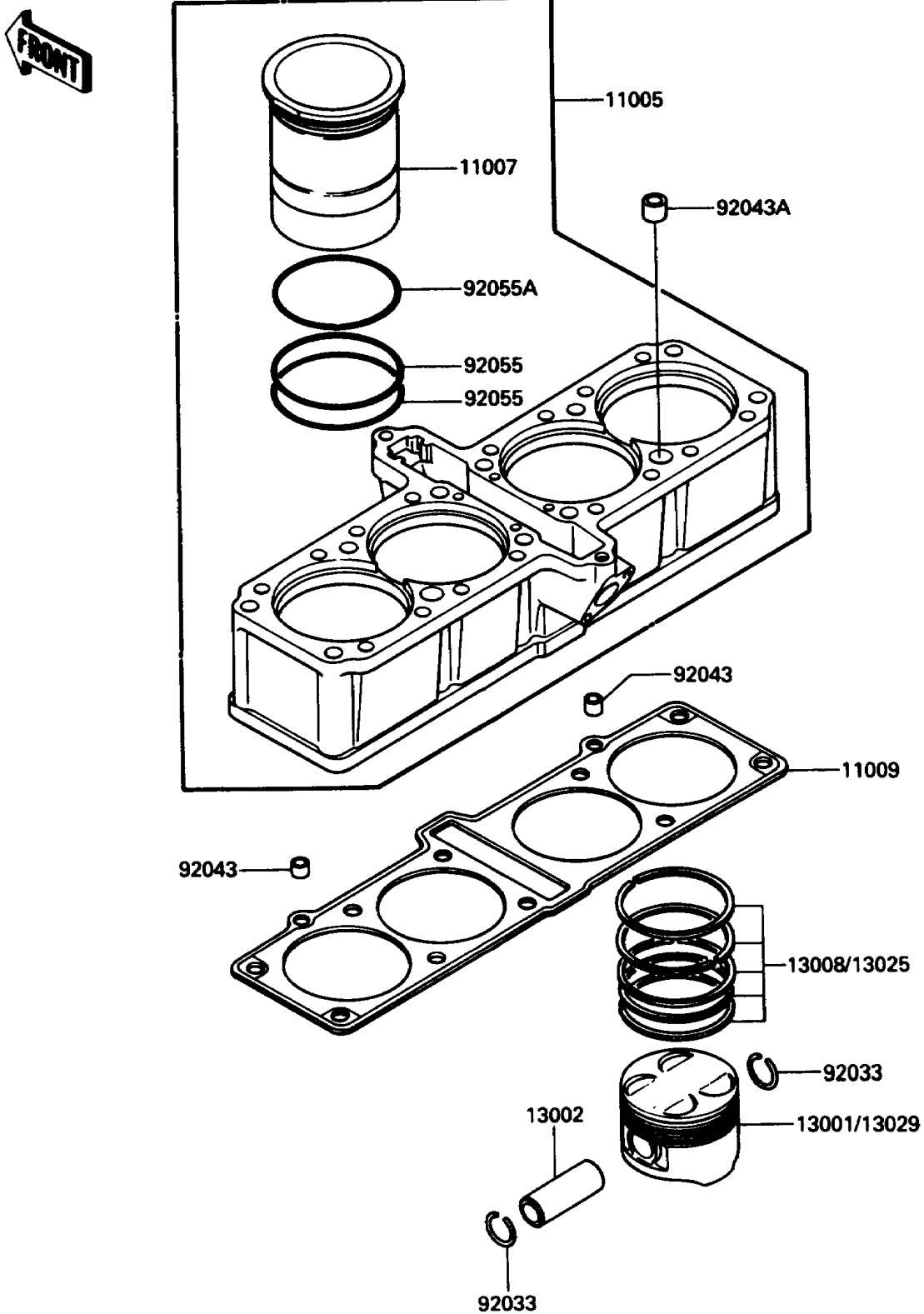


# 1990 Voyager XII PARTS DIAGRAM

Cylinder/Piston

E1120-0085



## 1990 Voyager XII PARTS LIST

### Cylinder/Piston

ITEM NAME	PART NUMBER	QUANTITY
CYLINDER-ENGINE (Ref # 11005)	11005-1537	1
LINER-CYLINDER (Ref # 11007)	11007-1084	4
GASKET,CYLINDER BASE (Ref # 11009)	11009-1554	1
PISTON-ENGINE,STD (Ref # 13001)	13001-1222	4
PIN-PISTON (Ref # 13002)	13002-1060	4
RING-SET-PISTON,STD (Ref # 13008)	13008-1071	4
RING-SNAP (Ref # 92033)	92033-1207	8
PIN,8.2X10X14 (Ref # 92043)	92043-1264	2
PIN,11.5X14X14 (Ref # 92043A)	92043-1279	2
RING-O,84.4X2.4 (Ref # 92055)	92055-1323	8
RING-O,82.5X2 (Ref # 92055A)	92055-1331	4
RING-SET-PISTON L,O/S 0.50 (Ref # 13025)	13025-1070	4
PISTON-ENGINE L,O/S 0.50 (Ref # 13029)	13029-1143	4