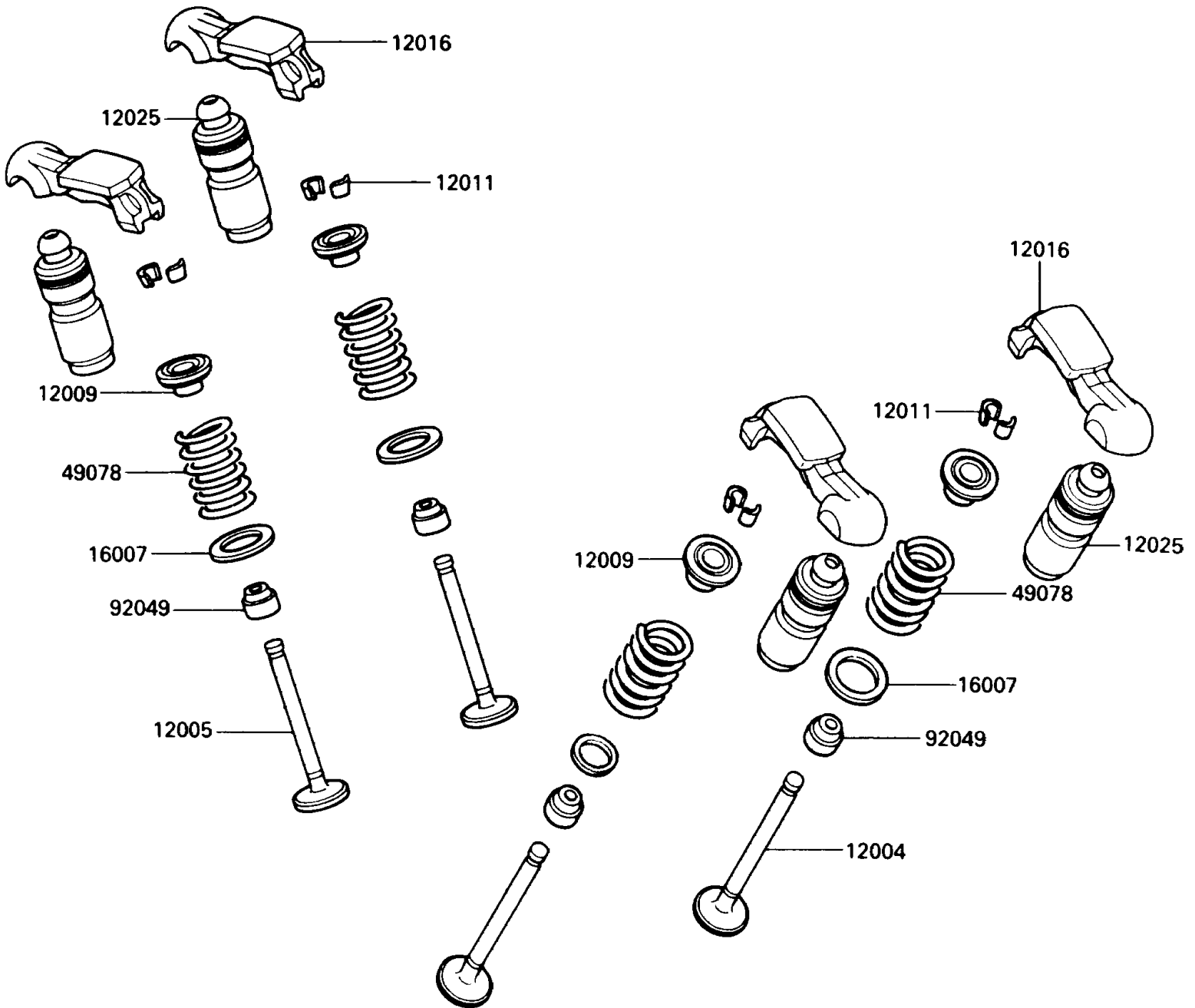


# 1989 Voyager XII PARTS DIAGRAM

Valve

E1210-0045



# 1989 Voyager XII PARTS LIST

## Valve

ITEM NAME	PART NUMBER	QUANTITY
VALVE-INTAKE (Ref # 12004)	12004-1065	8
VALVE-EXHAUST (Ref # 12005)	12005-1074	8
RETAINER-VALVE SPRING (Ref # 12009)	12009-1054	16
COLLET (Ref # 12011)	12011-1003	32
ARM-ROCKER (Ref # 12016)	12016-1066	16
ADJUSTER-LASH (Ref # 12025)	12025-1052	16
SEAT-SPRING,17.5X23.8X0.5 (Ref # 16007)	16007-1144	16
SPRING-ENGINE VALVE (Ref # 49078)	49078-1073	16
SEAL-OIL,RVC2-5.5X8.5X8.3 (Ref # 92049)	92049-1062	16