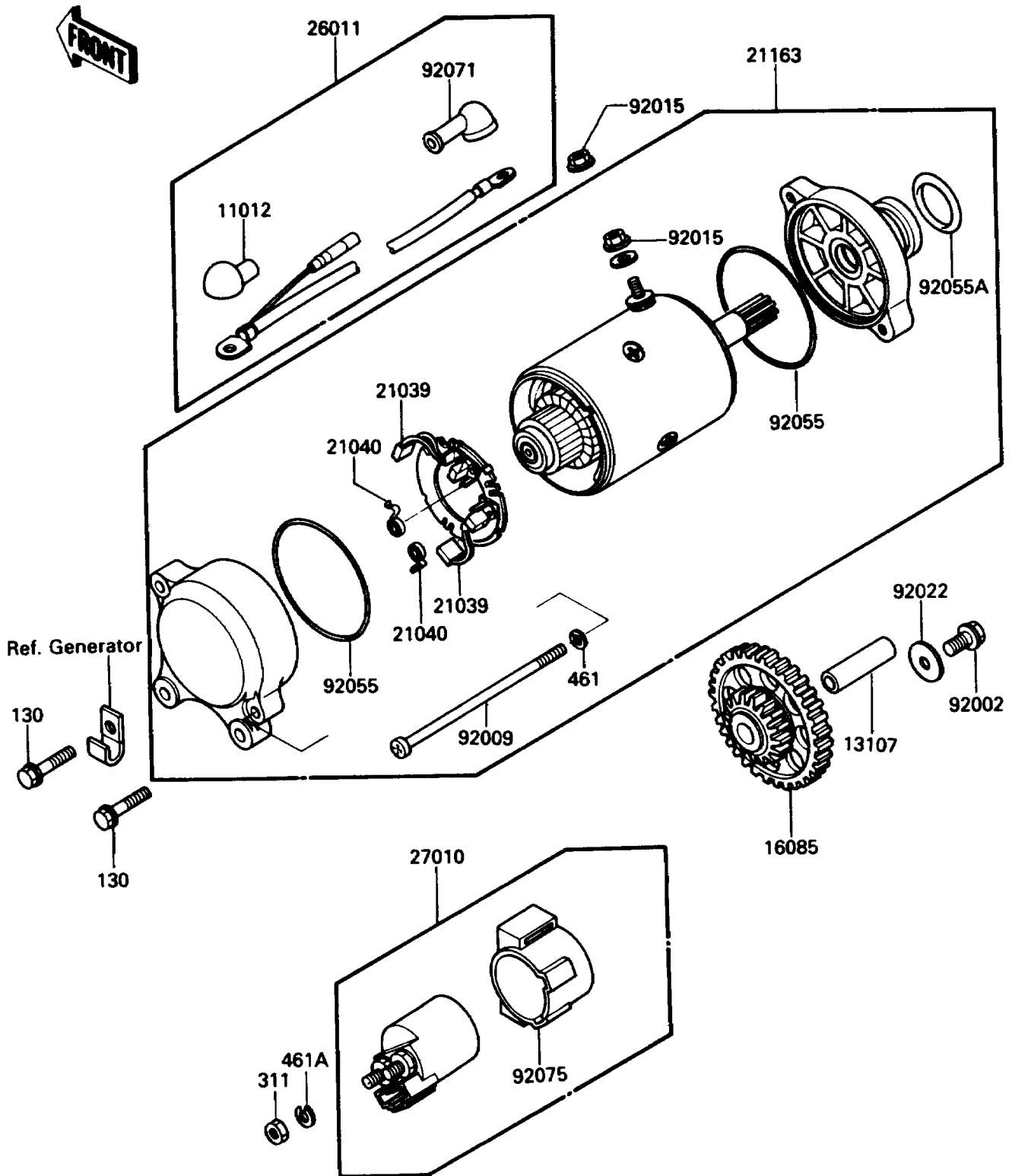


# 1991 Voyager XII PARTS DIAGRAM

Starter Motor

E1840-0081



# 1991 Voyager XII PARTS LIST

## Starter Motor

ITEM NAME	PART NUMBER	QUANTITY
BOLT-FLANGED,6X25 (Ref # 130)	130G0625	2
NUT-HEX,6MM (Ref # 311)	311B0600	2
WASHER-SPRING,5MM (Ref # 461)	461F0500	2
WASHER-SPRING,6MM (Ref # 461A)	461F0600	2
CAP,TERMINAL (Ref # 11012)	11012-1354	1
SHAFT,IDLE GEAR (Ref # 13107)	13107-1106	1
GEAR,STARTER IDLE (Ref # 16085)	16085-1216	1
BRUSH,CARBON (Ref # 21039)	21039-003	2
SPRING-BRUSH (Ref # 21040)	21040-003	2
STARTER-ELECTRIC (Ref # 21163)	21163-1098	1
WIRE-LEAD,STARTER MOTOR (Ref # 26011)	26011-1369	1
SWITCH,MAGNETIC (Ref # 27010)	27010-1209	1
BOLT,6X12 (Ref # 92002)	92002-1572	1
SCREW (Ref # 92009)	92009-1443	2
NUT,STARTER MOTOR (Ref # 92015)	92015-1476	2
WASHER,6X19.5X2 (Ref # 92022)	92022-1517	1
RING-O,STARTER MOTOR (Ref # 92055)	21027-003	2
RING-O (Ref # 92055A)	92055-1303	1
GROMMET,STARTER TERMINAL (Ref # 92071)	21017-017	1
DAMPER,MAGNETIC SWITCH (Ref # 92075)	21064-002	1