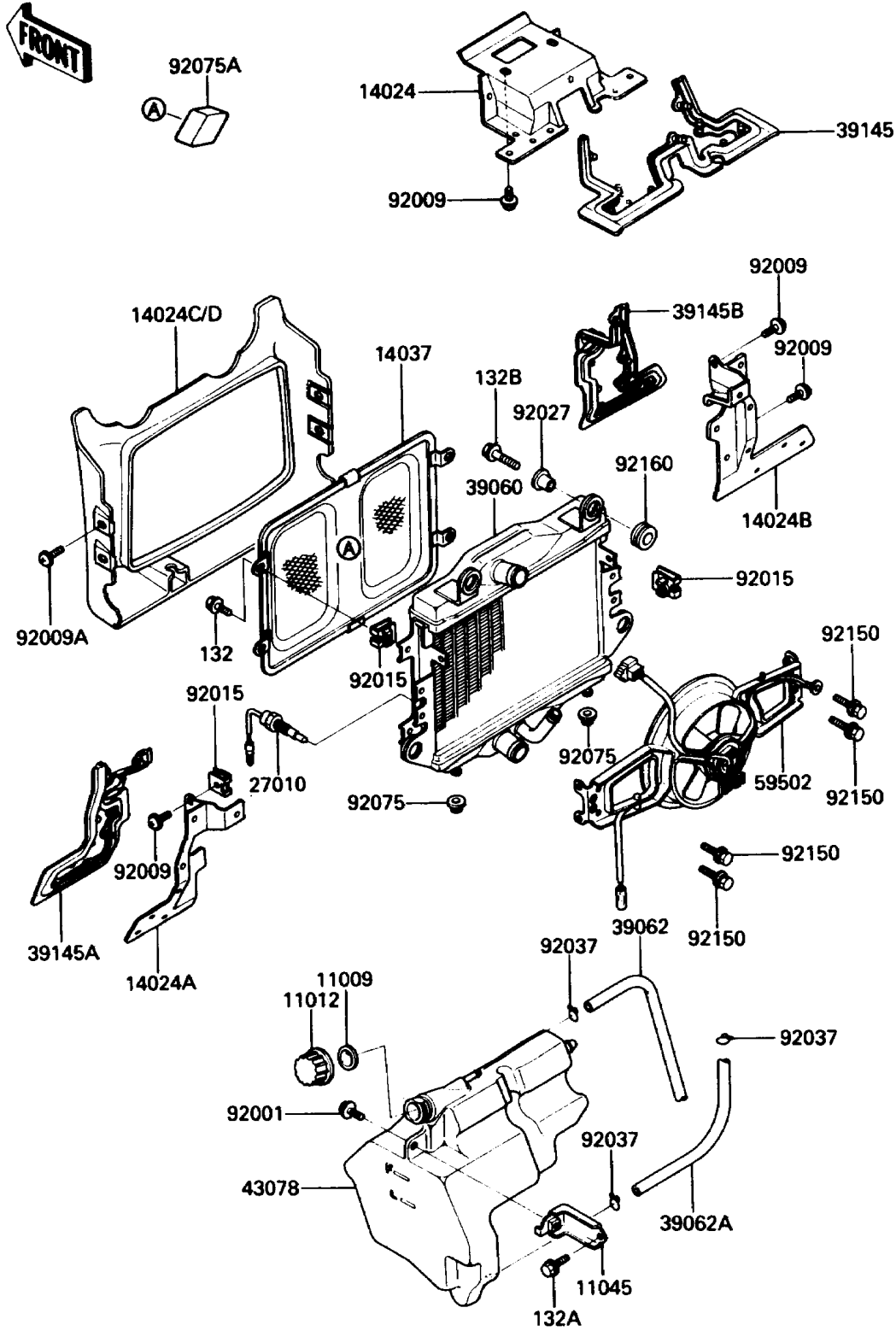


1988 Voyager XII PARTS DIAGRAM

Radiator

E3032



1988 Voyager XII PARTS LIST

Radiator

ITEM NAME	PART NUMBER	QUANTITY
BOLT-FLANGED-SMALL,6X10 (Ref # 132)	132J0610	4
BOLT-FLANGED-SMALL (Ref # 132A)	132J0612	1
BOLT-FLANGED-SMALL (Ref # 132B)	132J0825	2
GASKET,RESERVOIR TANK CAP (Ref # 11009)	11009-1145	1
CAP (Ref # 11012)	11012-1084	1
BRACKET,RESERVOIR (Ref # 11045)	11044-1744	1
COVER,RADIATOR UPP (Ref # 14024)	14024-1158	1
COVER,RADIATOR,LH (Ref # 14024A)	14024-1159	1
COVER,RADIATOR,RH (Ref # 14024B)	14024-1160	1
COVER,RADIATOR,P.B.BEIGE (Ref # 14024D)	14024-1293-X8	1
SCREEN (Ref # 14037)	14037-1076	1
SWITCH,FAN (Ref # 27010)	27010-1180	1
RADIATOR (Ref # 39060)	39060-1066	1
HOSE-COOLING (Ref # 39062)	39062-1075	1
HOSE-COOLING,5.5X10.5X1160 (Ref # 39062A)	39062-1155	1
TRIM-SEAL (Ref # 39145)	39145-1061	1
TRIM-SEAL,COVER,LH (Ref # 39145A)	39145-1063	1
TRIM-SEAL,COVER,RH (Ref # 39145B)	39145-1065	1
RESERVOIR (Ref # 43078)	43078-1067	1
FAN-ASSY (Ref # 59502)	59502-1060	1
BOLT,W/WASHER,6X12 (Ref # 92001)	92001-1516	1
SCREW,6X18,BLACK (Ref # 92009)	92009-1181	6
SCREW,6X14,BLACK (Ref # 92009A)	92009-1308	4
NUT (Ref # 92015)	92015-1487	6
COLLAR,L=14 (Ref # 92027)	92027-1134	4
CLAMP,TUBE (Ref # 92037)	92037-147	3
DAMPER,RADIATOR GUARD (Ref # 92075)	92075-1469	2
DAMPER,SCREEN (Ref # 92075A)	92075-1981	1
BOLT,6X12 (Ref # 92150)	92150-1186	4

1988 Voyager XII PARTS LIST

Radiator

ITEM NAME	PART NUMBER	QUANTITY
DAMPER (Ref # 92160)	92160-1007	4