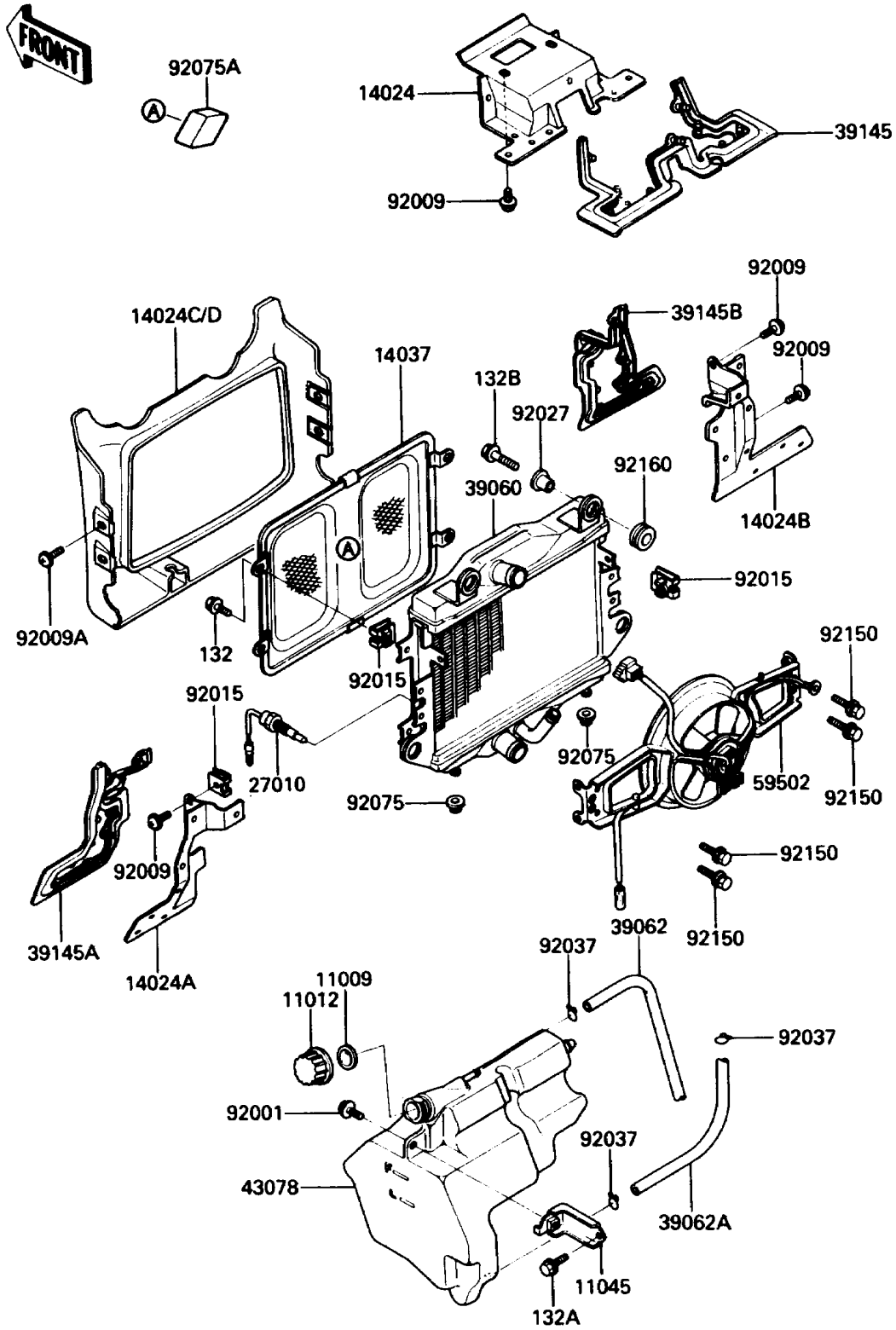


## 1991 Voyager XII PARTS DIAGRAM

Radiator

E3032



# 1991 Voyager XII PARTS LIST

## Radiator

| ITEM NAME                                 | PART NUMBER   | QUANTITY |
|---|---------------|----------|
| BOLT-FLANGED-SMALL,6X10 (Ref # 132)       | 132J0610      | 4        |
| BOLT-FLANGED-SMALL (Ref # 132A)           | 132J0612      | 1        |
| BOLT-FLANGED-SMALL (Ref # 132B)           | 132J0825      | 2        |
| GASKET,RESERVOIR TANK CAP (Ref # 11009)   | 11009-1145    | 1        |
| CAP (Ref # 11012)                         | 11012-1084    | 1        |
| BRACKET,RESERVOIR (Ref # 11045)           | 11044-1744    | 1        |
| COVER,RADIATOR UPP (Ref # 14024)          | 14024-1158    | 1        |
| COVER,RADIATOR,LH (Ref # 14024A)          | 14024-1159    | 1        |
| COVER,RADIATOR,RH (Ref # 14024B)          | 14024-1160    | 1        |
| COVER,RADIATOR,M.C.SILVER (Ref # 14024C)  | 14024-1293-GA | 1        |
| SCREEN (Ref # 14037)                      | 14037-1076    | 1        |
| SWITCH,FAN (Ref # 27010)                  | 27010-1180    | 1        |
| RADIATOR (Ref # 39060)                    | 39060-1066    | 1        |
| HOSE-COOLING (Ref # 39062)                | 39062-1075    | 1        |
| HOSE-COOLING,5.5X10.5X1160 (Ref # 39062A) | 39062-1155    | 1        |
| TRIM-SEAL (Ref # 39145)                   | 39145-1061    | 1        |
| TRIM-SEAL,COVER,LH (Ref # 39145A)         | 39145-1063    | 1        |
| TRIM-SEAL,COVER,RH (Ref # 39145B)         | 39145-1065    | 1        |
| RESERVOIR (Ref # 43078)                   | 43078-1067    | 1        |
| FAN-ASSY (Ref # 59502)                    | 59502-1060    | 1        |
| BOLT,W/WASHER,6X12 (Ref # 92001)          | 92001-1516    | 1        |
| SCREW,6X18,BLACK (Ref # 92009)            | 92009-1181    | 6        |
| SCREW,6X14,BLACK (Ref # 92009A)           | 92009-1308    | 4        |
| NUT (Ref # 92015)                         | 92015-1487    | 6        |
| COLLAR,L=14 (Ref # 92027)                 | 92027-1134    | 4        |
| CLAMP,TUBE (Ref # 92037)                  | 92037-147     | 3        |
| DAMPER,RADIATOR GUARD (Ref # 92075)       | 92075-1469    | 2        |
| DAMPER,SCREEN (Ref # 92075A)              | 92075-1981    | 1        |
| BOLT,6X12 (Ref # 92150)                   | 92150-1186    | 4        |

# 1991 Voyager XII PARTS LIST

Radiator

| ITEM NAME            | PART NUMBER | QUANTITY |
|----------------------|-------------|----------|
| DAMPER (Ref # 92160) | 92160-1007  | 4        |