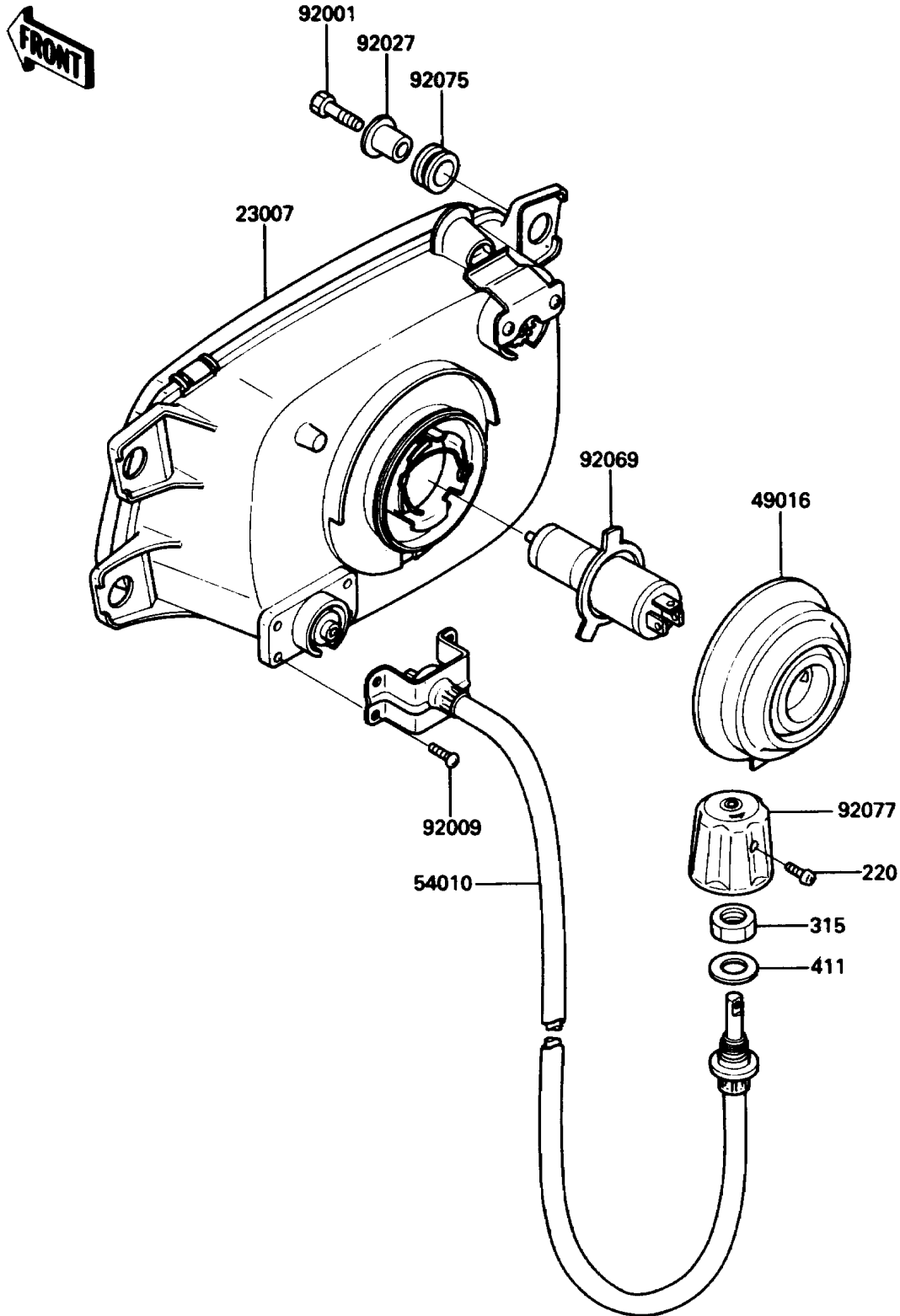


# 1989 Voyager XII PARTS DIAGRAM

Head Lamp

F2710-0268



# 1989 Voyager XII PARTS LIST

## Head Lamp

ITEM NAME	PART NUMBER	QUANTITY
SCREW-PAN-CROS (Ref # 220)	220C0312	1
NUT-HEX-FINE (Ref # 315)	315C1200	1
WASHER-PLAIN (Ref # 411)	411F1200	1
LENS-COMP,HEAD LAMP (Ref # 23007)	23007-1144	1
COVER-SEAL,HEAD LAMP (Ref # 49016)	49016-1108	1
CABLE,HEAD LAMP (Ref # 54010)	54010-1058	1
BOLT,6X25 (Ref # 92001)	92001-1284	4
SCREW,TAPPING,4X14 (Ref # 92009)	92009-1340	4
COLLAR,L=13.1 (Ref # 92027)	92027-251	4
BULB,12V 60/55W,H4 (Ref # 92069)	92069-1002	1
DAMPER (Ref # 92075)	92075-1690	4
KNOB,HEAD LAMP CABLE (Ref # 92077)	92077-1064	1