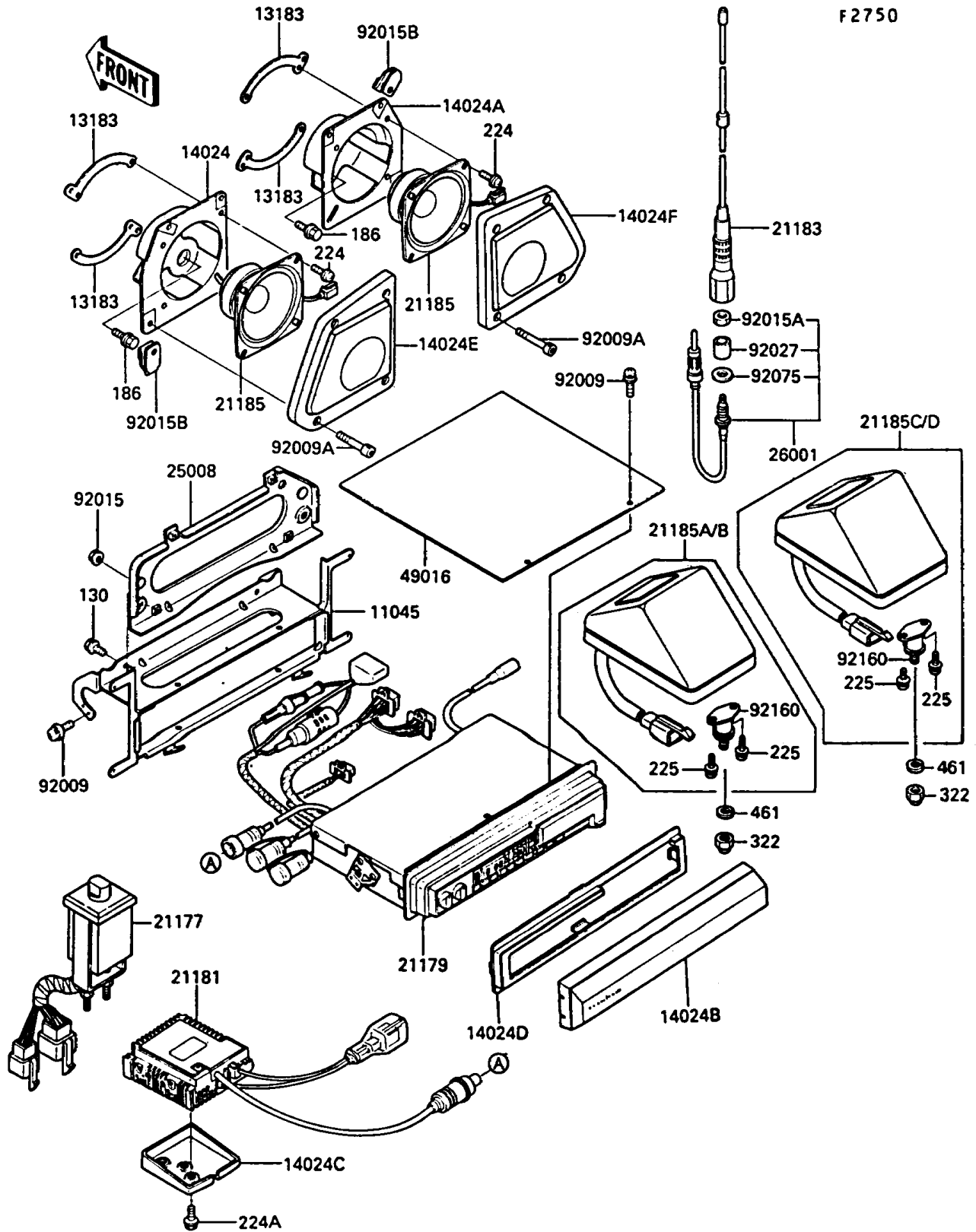


1991 Voyager XII PARTS DIAGRAM

Audio



1991 Voyager XII PARTS LIST

Audio

| ITEM NAME | PART NUMBER | QUANTITY |
|---|---------------|----------|
| BOLT-FLANGED,5X12 (Ref # 130) | 130B0512 | 2 |
| BOLT-UPSET-WP (Ref # 186) | 186D0612 | 4 |
| SCREW-PAN-WP-CROS (Ref # 224) | 224C0516 | 8 |
| SCREW-PAN-WP-CROS (Ref # 224A) | 224D0512 | 3 |
| SCREW-PAN-WSP-CROS,4X12 (Ref # 225) | 225D0412 | 12 |
| NUT-CAP,6MM (Ref # 322) | 322N0600 | 6 |
| WASHER-SPRING,6MM (Ref # 461) | 461F0600 | 6 |
| BRACKET,AUDIO (Ref # 11045) | 11044-1721 | 1 |
| PLATE,SPEAKER (Ref # 13183) | 13169-1655 | 4 |
| COVER,SPEAKER,LH (Ref # 14024) | 14024-1201 | 1 |
| COVER,SPEAKER,RH (Ref # 14024A) | 14024-1202 | 1 |
| COVER,TUNER (Ref # 14024B) | 14024-1203 | 1 |
| COVER,AMPLIFIER (Ref # 14024C) | 14024-1304 | 1 |
| COVER (Ref # 14024D) | 14024-1326 | 1 |
| COVER,SPEAKER,LH (Ref # 14024E) | 14024-1508 | 1 |
| COVER,SPEAKER,RH (Ref # 14024F) | 14024-1509 | 1 |
| CONTROLLER (Ref # 21177) | 21177-1051 | 1 |
| RADIO-TUNER (Ref # 21179) | 21179-1052 | 1 |
| AMPLIFIER (Ref # 21181) | 21181-1054 | 1 |
| ANTENNA,ROD (Ref # 21183) | 21183-1054 | 1 |
| SPEAKER,FR (Ref # 21185) | 21185-1056 | 2 |
| SPEAKER,RR,LH,M.C.SILVER (Ref # 21185A) | 21185-1057-GA | 1 |
| SPEAKER,RR,RH,M.C.SILVER (Ref # 21185C) | 21185-1058-GA | 1 |
| BRACKET-METER (Ref # 25008) | 25008-1125 | 1 |
| HARNESS,ANTENNA (Ref # 26001) | 26001-1794 | 1 |
| COVER-SEAL,AUDIO (Ref # 49016) | 49016-1122 | 1 |
| SCREW,PAN-CROS,W/WASHER (Ref # 92009) | 92009-1259 | 8 |
| SCREW,SOCKET,4X20 (Ref # 92009A) | 92009-1450 | 8 |
| NUT,FLANGED,6MM (Ref # 92015) | 92015-1193 | 2 |

1991 Voyager XII PARTS LIST

Audio

| ITEM NAME | PART NUMBER | QUANTITY |
|-------------------------------------|-------------|----------|
| NUT,ANTENNA (Ref # 92015A) | 92015-1313 | 1 |
| NUT,4MM (Ref # 92015B) | 92015-1593 | 6 |
| COLLAR,ANTENNA (Ref # 92027) | 92027-1681 | 1 |
| DAMPER,WASHER,15X26X2 (Ref # 92075) | 92075-1869 | 1 |
| DAMPER,REAR SPEAKER (Ref # 92160) | 92160-1158 | 6 |