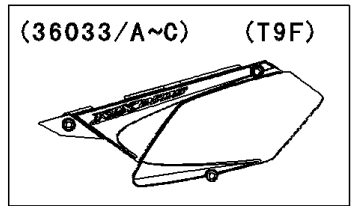
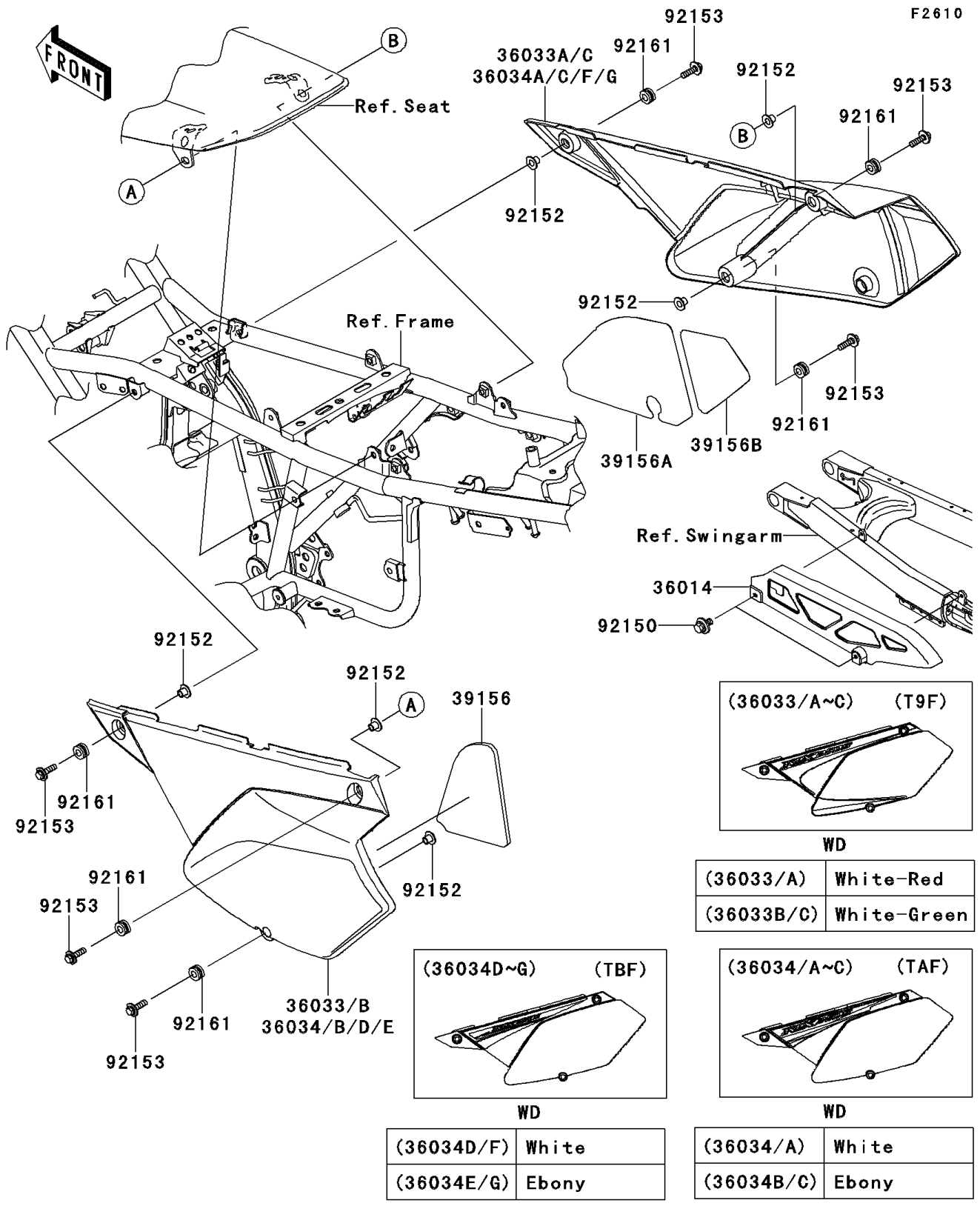


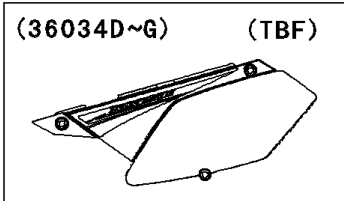
# 2009 KLX® 250S PARTS DIAGRAM

Side Covers/Chain Cover(T9F-TBF)



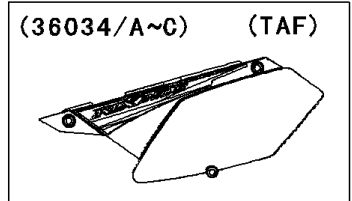
WD

(36033/A)	White-Red
(36033B/C)	White-Green



WD

(36034D/F)	White
(36034E/G)	Ebony



WD

(36034/A)	White
(36034B/C)	Ebony

## 2009 KLX® 250S PARTS LIST

Side Covers/Chain Cover(T9F-TBF)

ITEM NAME	PART NUMBER	QUANTITY
CASE-CHAIN (Ref # 36014)	36014-0050	1
COVER-SIDE,LH,B.WHITE (Ref # 36033)	36033-5332-266	1
COVER-SIDE,RH,B.WHITE (Ref # 36033A)	36033-5333-266	1
COVER-SIDE,LH,B.WHITE (Ref # 36033B)	36033-5334-266	1
COVER-SIDE,RH,B.WHITE (Ref # 36033C)	36033-5335-266	1
PAD,SIDE COVER,LH (Ref # 39156)	39156-0197	1
PAD,SIDE COVER,RH (Ref # 39156A)	39156-0198	1
PAD,SIDE COVER,RH (Ref # 39156B)	39156-0199	1
BOLT,6X12 (Ref # 92150)	92150-1435	2
COLLAR (Ref # 92152)	92152-0237	6
BOLT,FLANGED,6X22 (Ref # 92153)	92153-0950	6
DAMPER (Ref # 92161)	92161-0685	6