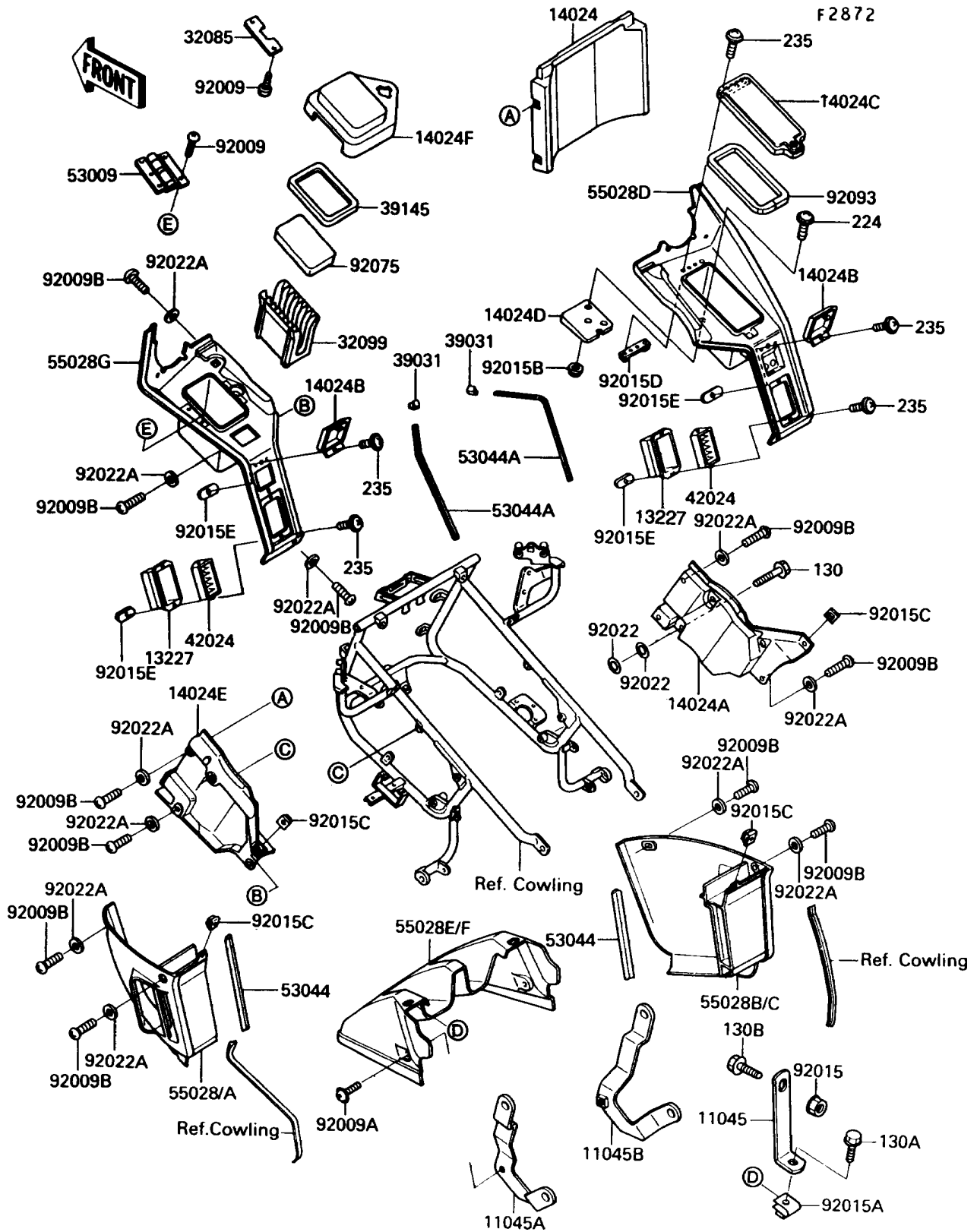


1988 Voyager XII PARTS DIAGRAM

Cowling Lowers



1988 Voyager XII PARTS LIST

Cowling Lowers

| ITEM NAME | PART NUMBER | QUANTITY |
|---|---------------|----------|
| BRACKET,LOWER COWLING,UPP (Ref # 11045) | 11045-1410 | 2 |
| BRACKET,LOWER COWLING,LH (Ref # 11045A) | 11045-1934 | 1 |
| BRACKET,LOWER COWLING,RH (Ref # 11045B) | 11045-1935 | 1 |
| HOUSING,SHUTTER (Ref # 13227) | 13227-1012 | 2 |
| COVER,COWLING,INNER,FR (Ref # 14024) | 14024-1183 | 1 |
| COVER,COWLING,INNER,RH (Ref # 14024A) | 14024-1185 | 1 |
| COVER,TRANSCEIVER (Ref # 14024B) | 14024-1191 | 2 |
| COVER,FAIRING POCKET,RH (Ref # 14024C) | 14024-1200 | 1 |
| COVER,AMPLIFIER (Ref # 14024D) | 14024-1304 | 1 |
| COVER,COWLING,INNER,LH (Ref # 14024E) | 14024-1478 | 1 |
| COVER,FAIRING POCKET,LH (Ref # 14024F) | 14024-1480 | 1 |
| STOPPER,FAIRING POCKET,LH (Ref # 32085) | 32085-1271 | 1 |
| CASE,CASSETTE (Ref # 32099) | 32099-1103 | 1 |
| CAP-END,TRIM (Ref # 39031) | 39031-1058 | 2 |
| TRIM-SEAL,FAIRING POCKET,LH (Ref # 39145) | 39145-1085 | 1 |
| SHUTTER,LOUVER (Ref # 42024) | 42024-1002 | 2 |
| HINGE,SIDE BAG (Ref # 53009) | 53009-1062 | 1 |
| TRIM,COWLING,LWR (Ref # 53044) | 53044-1159 | 2 |
| TRIM,INNER COWLING (Ref # 53044A) | 53044-1161 | 2 |
| COWLING,LWR,LH,P.B.BEIGE (Ref # 55028A) | 55028-1106-X8 | 1 |
| COWLING,LWR,RH,P.B.BEIGE (Ref # 55028C) | 55028-1107-X8 | 1 |
| COWLING,INNER,RH (Ref # 55028D) | 55028-1109 | 1 |
| COWLING,LWR,P.B.BEIGE (Ref # 55028F) | 55028-1169-X8 | 1 |
| COWLING,INNER,LH (Ref # 55028G) | 55028-1170 | 1 |
| SCREW,TAPPING,4X10 (Ref # 92009) | 92009-1040 | 7 |
| SCREW,6X14 (Ref # 92009A) | 92009-1288 | 2 |
| SCREW,5X18 (Ref # 92009B) | 92009-1445 | 21 |
| NUT,FLANGED,8MM,BLACK (Ref # 92015) | 92015-1183 | 2 |
| NUT,6MM,BLACK (Ref # 92015A) | 92015-1217 | 2 |

1988 Voyager XII PARTS LIST

Cowling Lowers

| ITEM NAME | PART NUMBER | QUANTITY |
|--|-------------|----------|
| NUT,FLANGED,5MM (Ref # 92015B) | 92015-1259 | 1 |
| NUT,4MM (Ref # 92015C) | 92015-1598 | 6 |
| NUT,BRACKET,4MM (Ref # 92015D) | 92015-1599 | 1 |
| NUT,5MM (Ref # 92015E) | 92015-1710 | 8 |
| WASHER,5.5X20X1.2 (Ref # 92022) | 92022-104 | 2 |
| WASHER,NYLON,5.3X11.5X1.5 (Ref # 92022A) | 92022-1521 | 21 |
| DAMPER,FAIRING POCKET COVER,LH (Ref # 92075) | 92075-1961 | 1 |
| SEAL,FAIRING POCKET (Ref # 92093) | 92093-1211 | 1 |
| BOLT-FLANGED,5X30 (Ref # 130) | 130B0530 | 1 |
| BOLT-FLANGED,6X16 (Ref # 130A) | 130C0616 | 2 |
| BOLT-FLANGED (Ref # 130B) | 130C0835 | 2 |
| SCREW-PAN-WP-CROS (Ref # 224) | 224B0514 | 1 |
| SCREW-PAN-WP-CROS (Ref # 235) | 235C0412 | 8 |