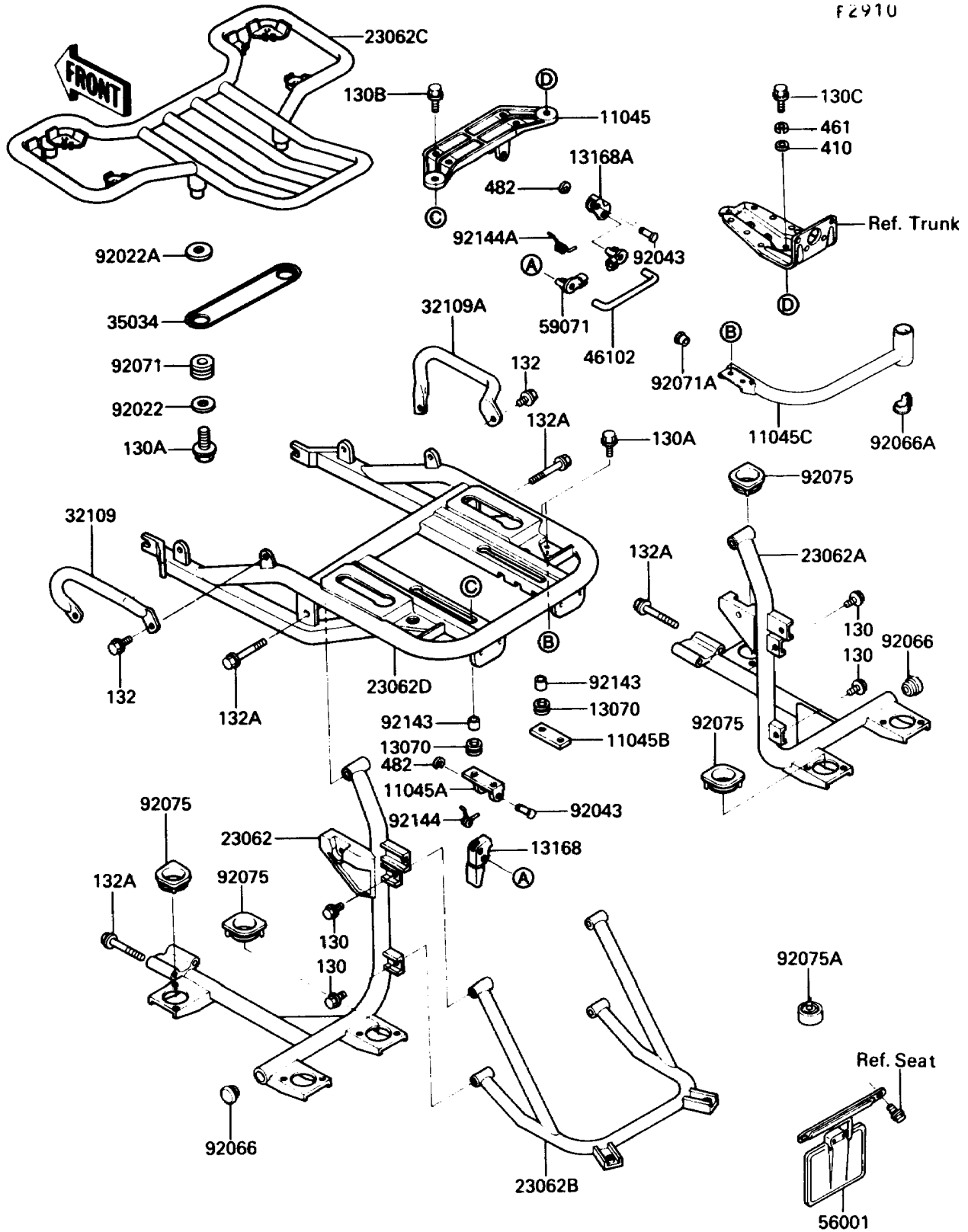


1988 Voyager XII PARTS DIAGRAM

Accessory(Trunk Bracket)



1988 Voyager XII PARTS LIST

Accessory(Trunk Bracket)

ITEM NAME	PART NUMBER	QUANTITY
-----------	-------------	----------