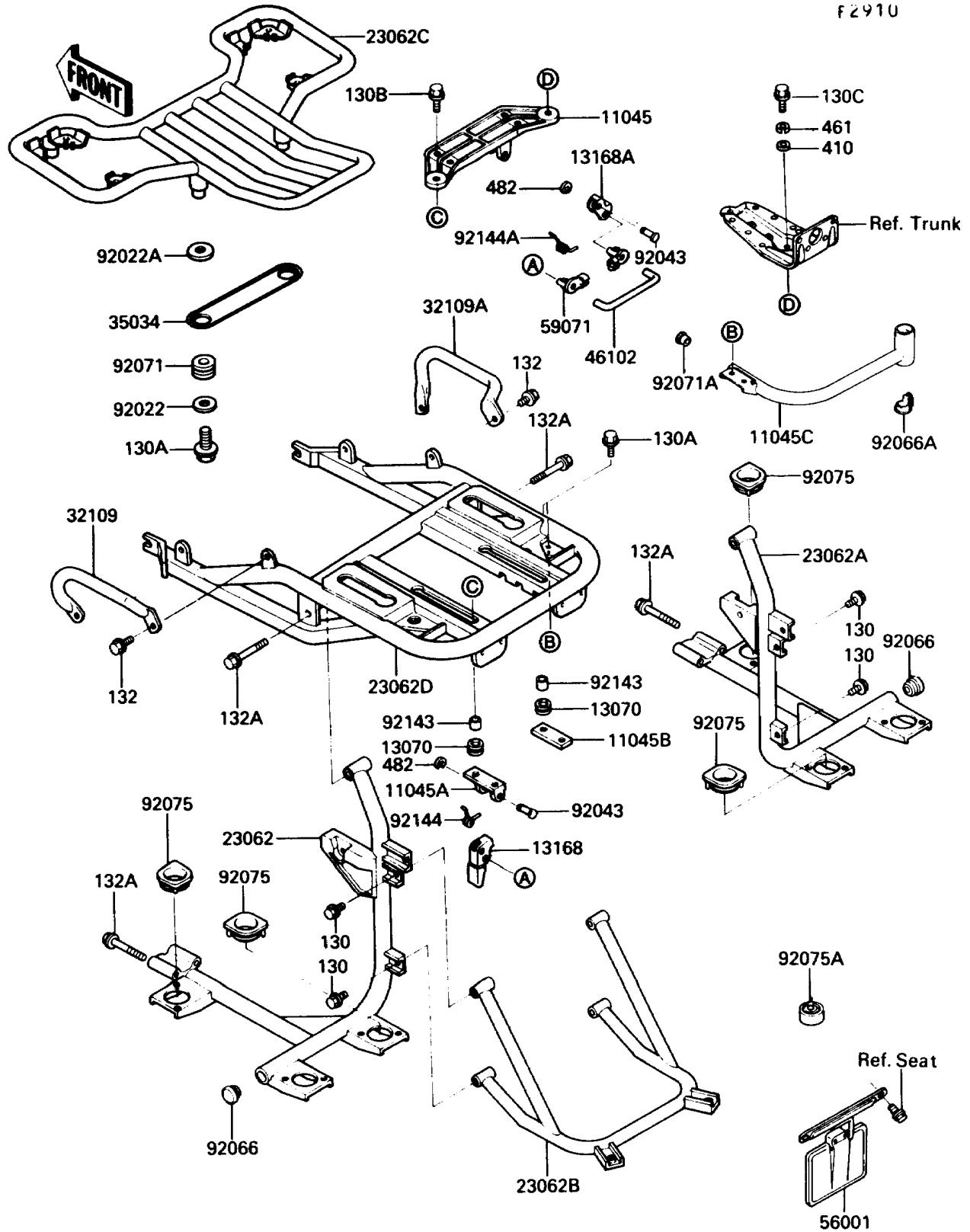


1989 Voyager XII PARTS DIAGRAM

Accessory(Trunk Bracket)



1989 Voyager XII PARTS LIST

Accessory(Trunk Bracket)

ITEM NAME	PART NUMBER	QUANTITY
BOLT-FLANGED (Ref # 130)	130B0614	4
BOLT-FLANGED,6X10,BLACK (Ref # 130A)	130C0610	6
BOLT-FLANGED,6X20 (Ref # 130B)	130C0620	4
BOLT-FLANGED,8X20 (Ref # 130C)	130J0820	2
BOLT-FLANGED-SMALL,8X16 (Ref # 132)	132E0816	4
BOLT-FLANGED-SMALL,8X55 (Ref # 132A)	132E0855	6
WASHER-PLAIN-SMALL,8MM,BLACK (Ref # 410)	410F0800	2
WASHER-SPRING,8MM,BLACK (Ref # 461)	461K0800	2
CIRCLIP-TYPE-E,4MM (Ref # 482)	482L4000	2
BRACKET,TRUNK (Ref # 11045)	11044-1637	1
BRACKET,TRUNK,LH (Ref # 11045A)	11044-1676	1
BRACKET,TRUNK,RH (Ref # 11045B)	11044-1677	1
BRACKET,ANTENNA (Ref # 11045C)	11045-1920	1
GUIDE (Ref # 13070)	13070-1151	4
LEVER (Ref # 13168)	13168-1307	1
LEVER (Ref # 13168A)	13168-1329	1
BRACKET-COMP,LH (Ref # 23062)	23062-1060	1
BRACKET-COMP,RH (Ref # 23062A)	23062-1061	1
BRACKET-COMP,TAIL (Ref # 23062B)	23062-1062	1
BRACKET-COMP,REAR SPEAKER (Ref # 23062C)	23062-1073	1
BRACKET-COMP,CNT (Ref # 23062D)	23062-1074	1
GRIP-FRAME,LH (Ref # 32109)	32109-1137	1
GRIP-FRAME,RH (Ref # 32109A)	32109-1138	1
REINFORCE,TRUNK COVER (Ref # 35034)	35034-1220	1
ROD (Ref # 46102)	46102-1182	1
MIRROR-ASSY,VANITY (Ref # 56001)	56001-1268	1
JOINT (Ref # 59071)	59071-1103	2
WASHER,6.5X26X1,BLACK (Ref # 92022)	92022-1248	4
WASHER,CAP TYPE (Ref # 92022A)	92022-1638	4

1989 Voyager XII PARTS LIST

Accessory(Trunk Bracket)

ITEM NAME	PART NUMBER	QUANTITY
PIN,6X28 (Ref # 92043)	92043-1308	2
PLUG (Ref # 92066)	92066-1220	4
PLUG (Ref # 92066A)	92066-1287	1
GROMMET (Ref # 92071)	92071-1131	4
GROMMET (Ref # 92071A)	92071-1156	1
DAMPER (Ref # 92075)	92075-1840	6
DAMPER,MIRROR STOPPER (Ref # 92075A)	92075-1844	1
COLLAR,6.8X10X9.5 (Ref # 92143)	92027-1983	4
SPRING,RETURN (Ref # 92144)	92081-1967	1
SPRING (Ref # 92144A)	92144-1045	1