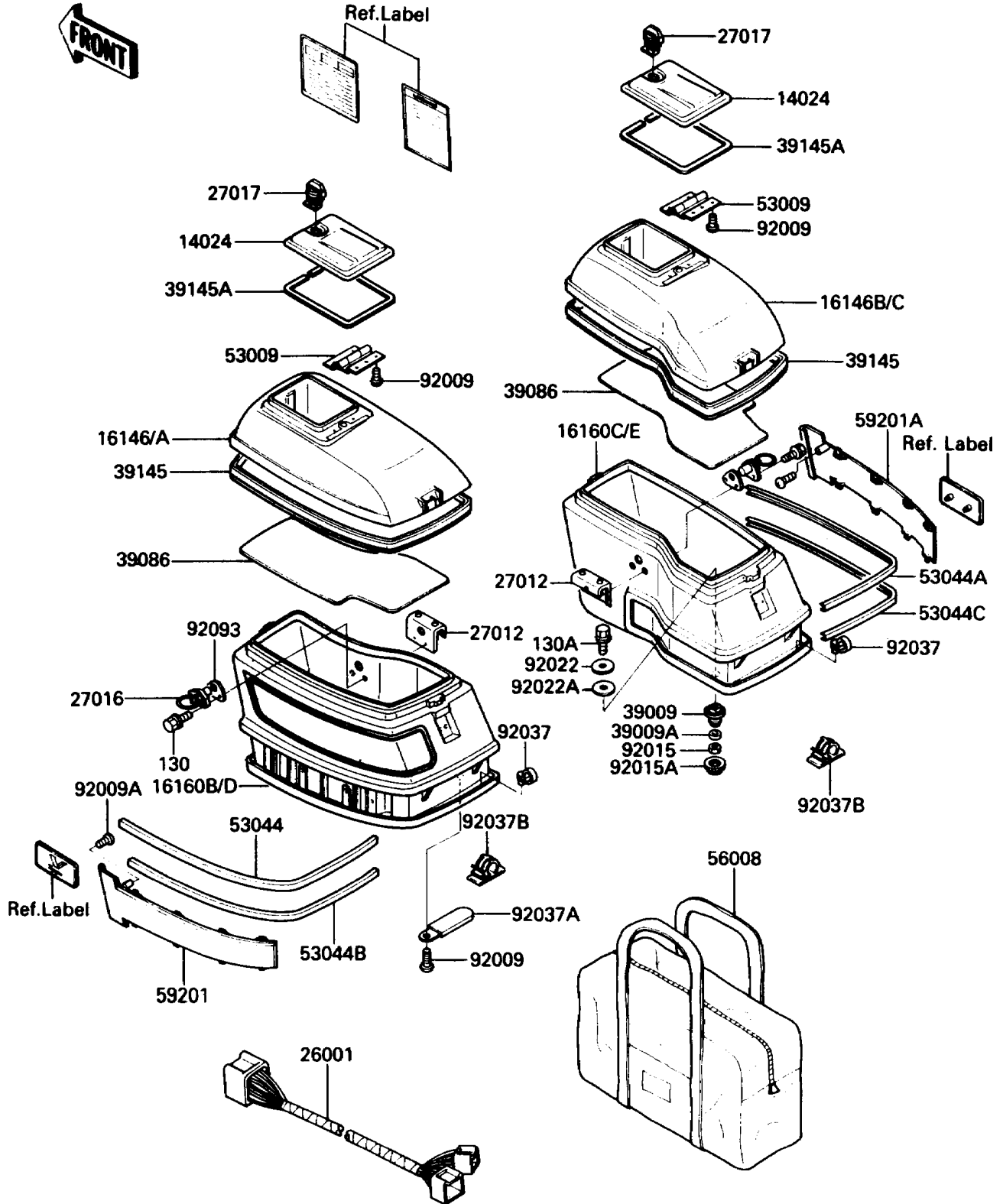


# 1990 Voyager XII PARTS DIAGRAM

Accessory(Side Bag)

F2910B



# 1990 Voyager XII PARTS LIST

## Accessory(Side Bag)

| ITEM NAME                                     | PART NUMBER   | QUANTITY |
|---|---------------|----------|
| BOLT-FLANGED,6X16 (Ref # 130)                 | 130C0616      | 4        |
| BOLT-FLANGED (Ref # 130A)                     | 130C0630      | 4        |
| COVER,SIDE BAG (Ref # 14024)                  | 14024-1178    | 2        |
| COVER-ASSY,SIDE BAG,LH,SILVER (Ref # 16146)   | 16146-1063-GA | 1        |
| COVER-ASSY,SIDE BAG,RH,SILVER (Ref # 16146B)  | 16146-1064-GA | 1        |
| BODY,SIDE BAG,LH,BRONCO/SILVER (Ref # 16160D) | 16160-5018-GG | 1        |
| BODY,SIDE BAG,RH,BRONCO/SILVER (Ref # 16160E) | 16160-5019-GG | 1        |
| HARNESS,SIDE BAG (Ref # 26001)                | 26001-1757    | 2        |
| HOOK,SIDE BAG (Ref # 27012)                   | 27012-1339    | 2        |
| LOCK-ASSY,BAG (Ref # 27016)                   | 27016-1054    | 2        |
| LOCK,BAG (Ref # 27017)                        | 27017-1126    | 2        |
| BLOCK-MOUNT,BAG (Ref # 39009)                 | 39009-1051    | 4        |
| BLOCK-MOUNT,BAG (Ref # 39009A)                | 39009-1052    | 4        |
| PAD-STORAGE,BAG (Ref # 39086)                 | 39086-1052    | 2        |
| TRIM-SEAL,SIDE BAG (Ref # 39145)              | 39145-1068    | 2        |
| TRIM-SEAL,SIDE BAG (Ref # 39145A)             | 39145-1071    | 2        |
| HINGE,SIDE BAG (Ref # 53009)                  | 53009-1062    | 2        |
| TRIM,SIDE BAG,UPP,LH (Ref # 53044)            | 53044-1143    | 1        |
| TRIM,SIDE BAG,UPP,RH (Ref # 53044A)           | 53044-1144    | 1        |
| TRIM,SIDE BAG,LWR,LH (Ref # 53044B)           | 53044-1145    | 1        |
| TRIM,SIDE BAG,LWR,RH (Ref # 53044C)           | 53044-1146    | 1        |
| BAG (Ref # 56008)                             | 56008-1055    | 2        |
| BUMPER,LH (Ref # 59201)                       | 59201-1051    | 1        |
| BUMPER,RH (Ref # 59201A)                      | 59201-1052    | 1        |
| SCREW,TAPPING,4X10 (Ref # 92009)              | 92009-1040    | 14       |
| SCREW,TAPPING,4X14 (Ref # 92009A)             | 92009-1429    | 2        |
| NUT,LOCK,6MM,BLACK (Ref # 92015)              | 92015-1191    | 4        |
| NUT,BLOCK MOUNT,24MM (Ref # 92015A)           | 92015-1628    | 4        |
| WASHER,7X28X1.6,BLACK (Ref # 92022)           | 92022-1392    | 4        |

# 1990 Voyager XII PARTS LIST

Accessory(Side Bag)

| ITEM NAME                    | PART NUMBER | QUANTITY |
|------------------------------|-------------|----------|
| WASHER,5X28X1 (Ref # 92022A) | 92022-1813  | 4        |
| CLAMP (Ref # 92037)          | 92037-1290  | 2        |
| CLAMP,HARNESS (Ref # 92037A) | 92037-1726  | 4        |
| CLAMP,HARNESS (Ref # 92037B) | 92037-1793  | 2        |
| SEAL,LOCK (Ref # 92093)      | 92093-1209  | 2        |