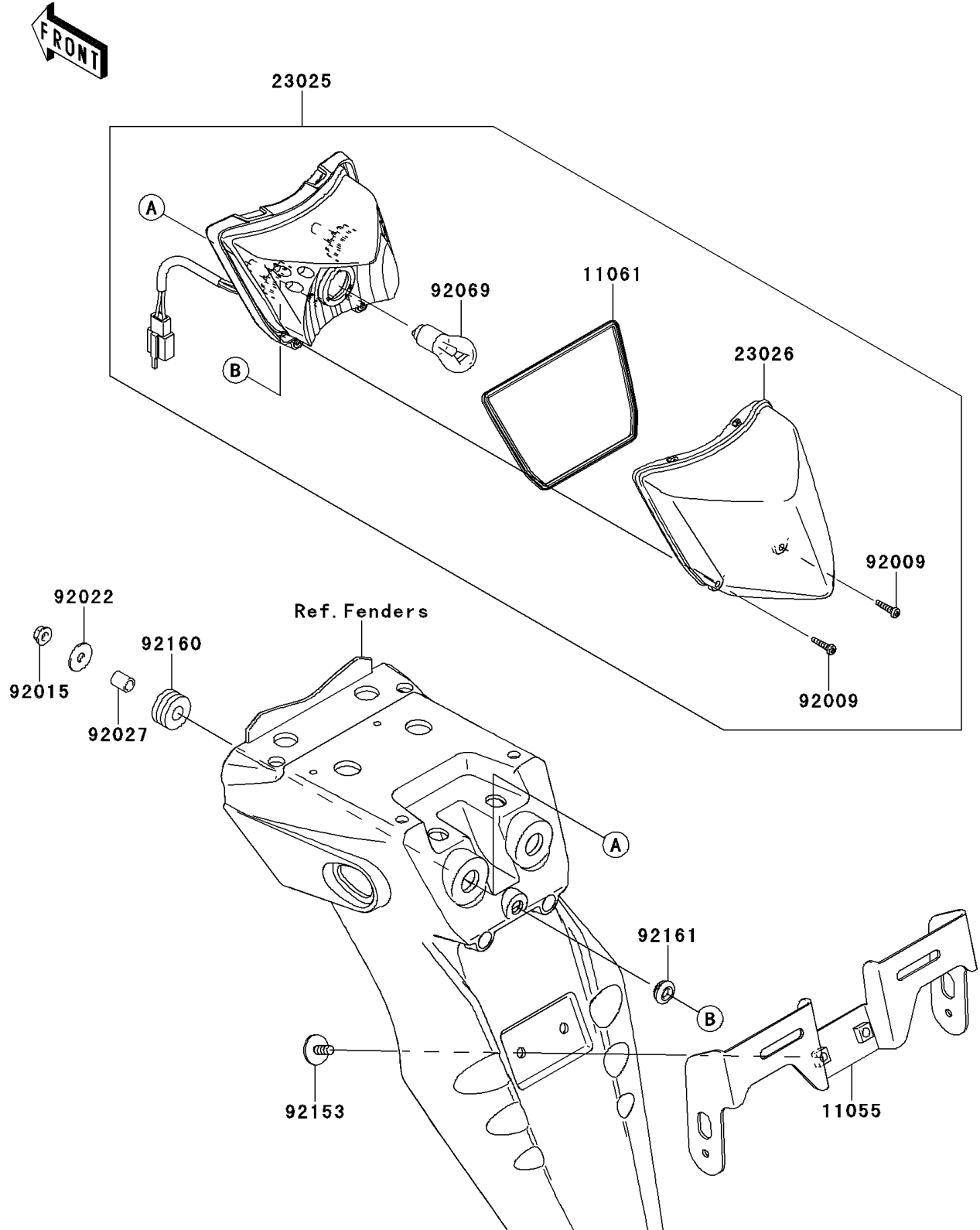


# 2009 KLX® 250S PARTS DIAGRAM

Taillight(s)

F2720



## 2009 KLX® 250S PARTS LIST

### Taillight(s)

ITEM NAME	PART NUMBER	QUANTITY
BRACKET,LICENSE (Ref # 11055)	11055-1187	1
GASKET,TAIL LAMP LENS (Ref # 11061)	11061-0326	1
LAMP-TAIL (Ref # 23025)	23025-0051	1
LENS,TAIL LAMP (Ref # 23026)	23026-0012	1
SCREW,TAPPING,4X16 (Ref # 92009)	92009-1605	2
NUT,FLANGED,6MM (Ref # 92015)	92015-1367	2
WASHER,6.5X20X1.6 (Ref # 92022)	92022-1557	2
COLLAR,6.8X10X12 (Ref # 92027)	92027-162	2
BULB,12V 21/5W (Ref # 92069)	92069-1084	1
BOLT,6X16 (Ref # 92153)	92153-0684	2
DAMPER (Ref # 92160)	92160-1162	2
DAMPER (Ref # 92161)	92161-0631	1