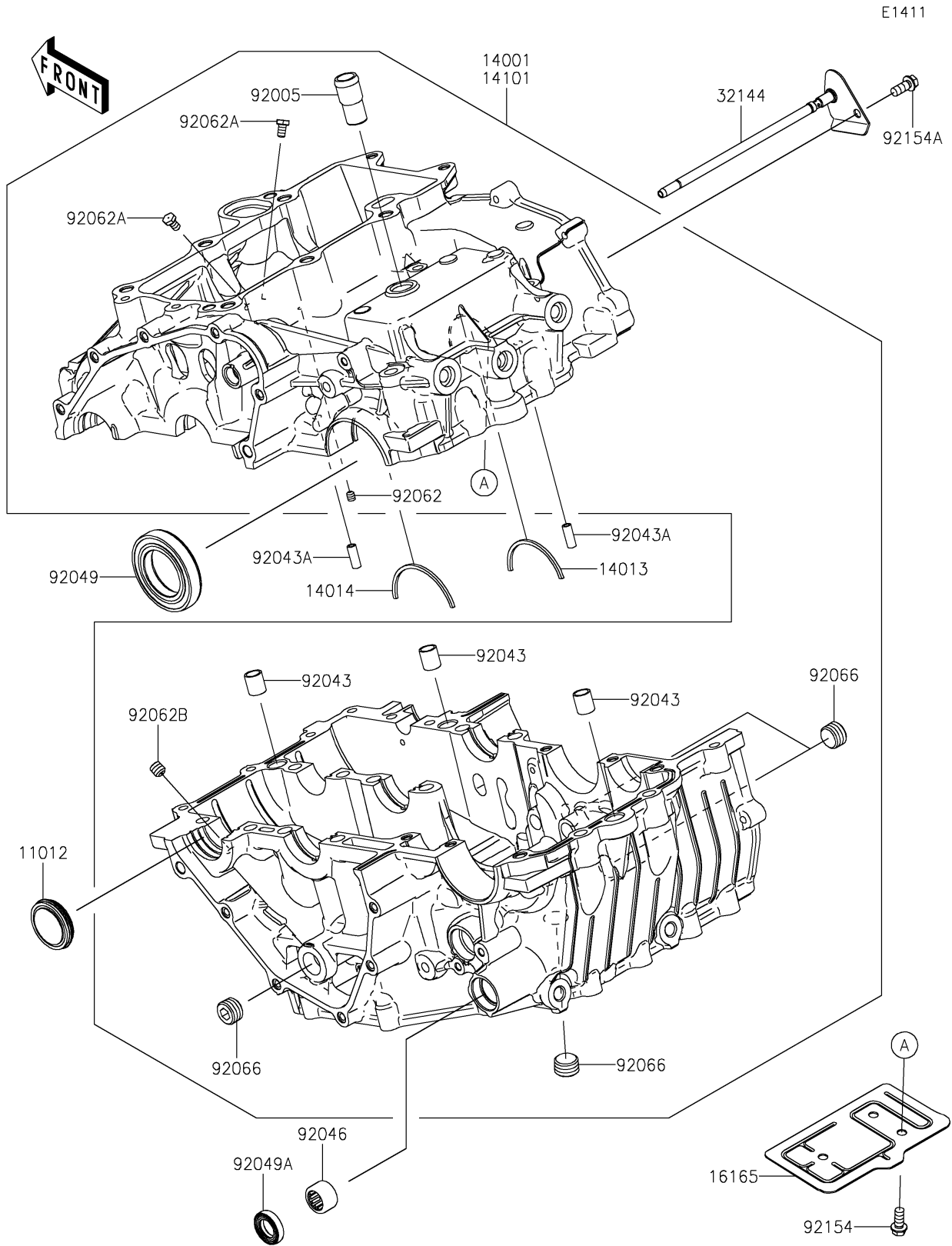


# 2021 Z400 ABS PARTS DIAGRAM

## Crankcase



# 2021 Z400 ABS PARTS LIST

Crankcase

ITEM NAME	PART NUMBER	QUANTITY
-----------	-------------	----------