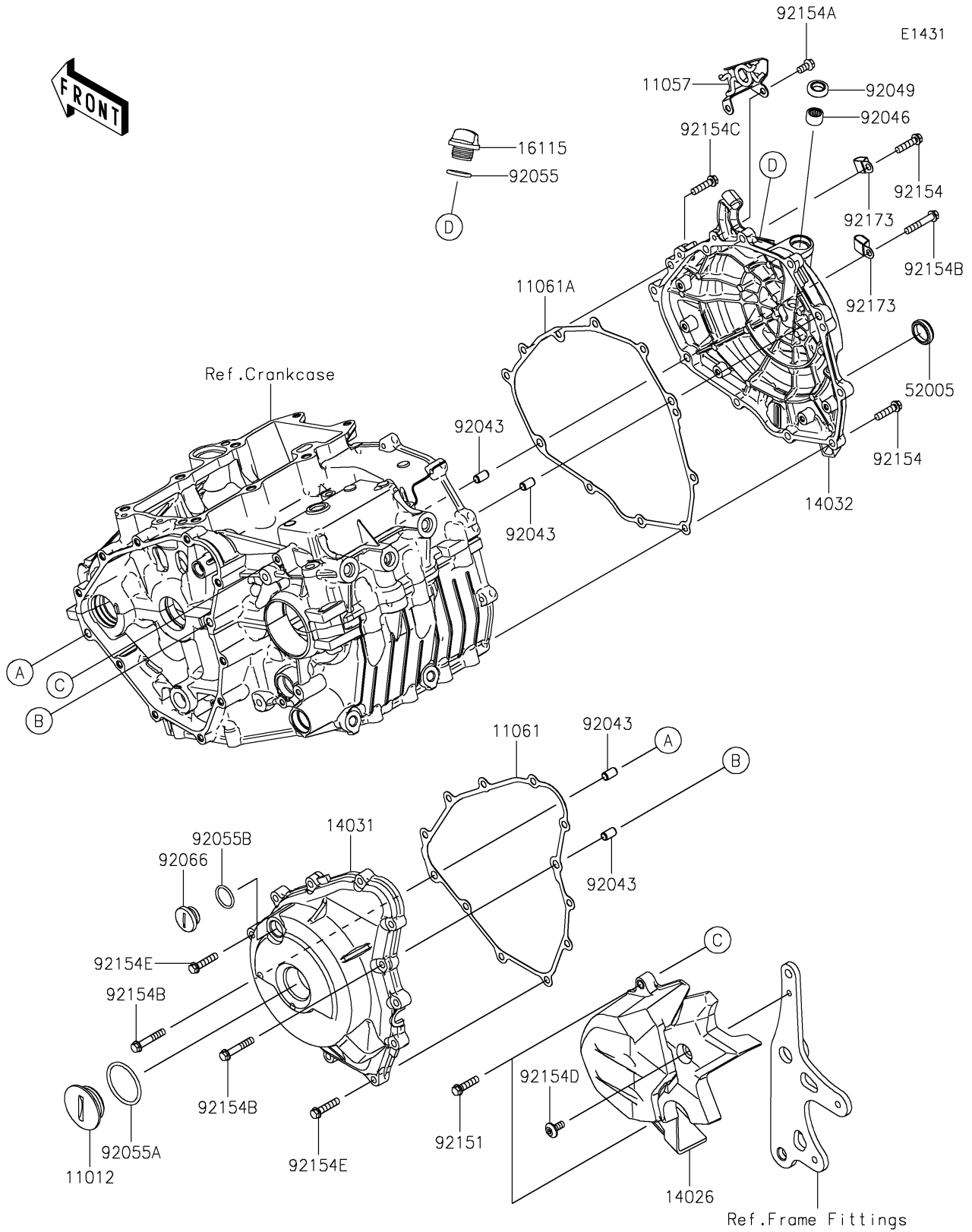


# 2021 Z400 ABS PARTS DIAGRAM

Engine Cover(s)



## 2021 Z400 ABS PARTS LIST

### Engine Cover(s)

| ITEM NAME                             | PART NUMBER | QUANTITY |
|---------------------------------------|-------------|----------|
| CAP (Ref # 11012)                     | 11012-1362  | 1        |
| BRACKET (Ref # 11057)                 | 11057-1231  | 1        |
| GASKET,GENERATOR COVER (Ref # 11061)  | 11061-1252  | 1        |
| GASKET,CLUTCH COVER (Ref # 11061A)    | 11061-1253  | 1        |
| COVER-CHAIN (Ref # 14026)             | 14026-0141  | 1        |
| COVER-GENERATOR (Ref # 14031)         | 14031-0618  | 1        |
| COVER-CLUTCH (Ref # 14032)            | 14032-0656  | 1        |
| CAP-OIL FILLER (Ref # 16115)          | 16115-1053  | 1        |
| GAUGE,OIL LEVEL (Ref # 52005)         | 52005-1009  | 1        |
| PIN,6.2X8X14 (Ref # 92043)            | 92043-1263  | 4        |
| BEARING-NEEDLE,HK1210FM (Ref # 92046) | 92046-0034  | 1        |
| SEAL-OIL (Ref # 92049)                | 92049-1560  | 1        |
| RING-O (Ref # 92055)                  | 92055-012   | 1        |
| RING-O,39.4X3.1 (Ref # 92055A)        | 92055-0734  | 1        |
| RING-O,20X2 (Ref # 92055B)            | 92055-1146  | 1        |
| PLUG (Ref # 92066)                    | 92066-0748  | 1        |
| BOLT,FLANGED-SMALL,6X25 (Ref # 92151) | 92151-1930  | 2        |
| BOLT,FLANGED,6X25 (Ref # 92154)       | 92154-0819  | 9        |
| BOLT,FLANGED,6X12 (Ref # 92154A)      | 92154-1777  | 2        |
| BOLT,FLANGED,6X35 (Ref # 92154B)      | 92154-1779  | 3        |
| BOLT,FLANGED,6X25 (Ref # 92154C)      | 92154-2734  | 1        |
| BOLT,SOCKET,6X14 (Ref # 92154D)       | 92154-2735  | 1        |
| BOLT,FLANGED,6X28 (Ref # 92154E)      | 92154-2788  | 10       |
| CLAMP (Ref # 92173)                   | 92173-1828  | 2        |