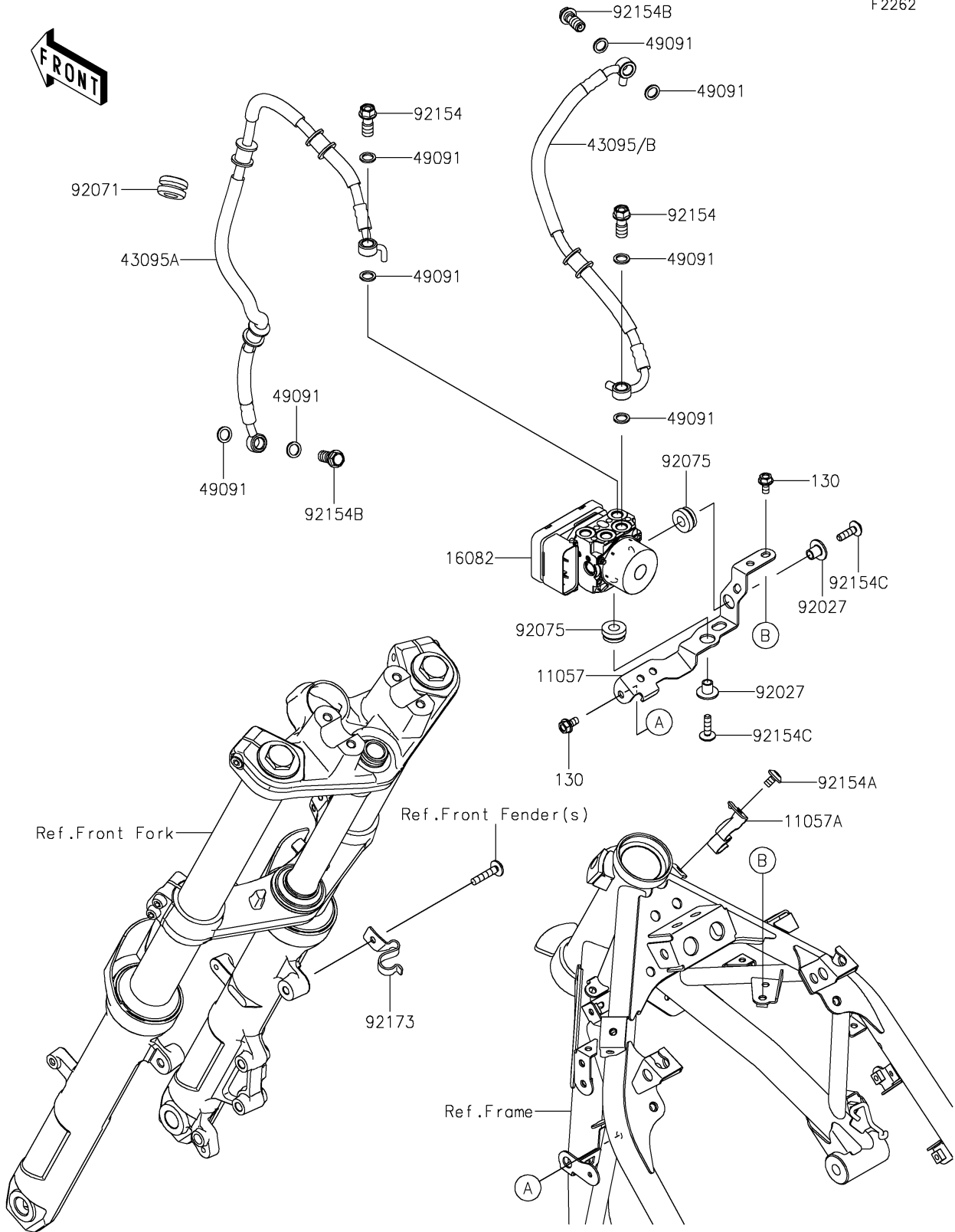


2022 Z400 ABS PARTS DIAGRAM

Brake Piping

F2262



2022 Z400 ABS PARTS LIST

Brake Piping

| ITEM NAME | PART NUMBER | QUANTITY |
|---|-------------|----------|
| BRACKET,ABS UNIT (Ref # 11057) | 11057-1098 | 1 |
| BRACKET (Ref # 11057A) | 11057-1100 | 1 |
| PUMP-ASSY-OIL (Ref # 16082) | 16082-0889 | 1 |
| HOSE-BRAKE,HU-FR M/CYLINDER (Ref # 43095) | 43095-1580 | 1 |
| HOSE-BRAKE,HU-FR CALIPER (Ref # 43095A) | 43095-1581 | 1 |
| WASHER-SEAL,10.1X14.5X1.5 (Ref # 49091) | 49091-0001 | 8 |
| COLLAR,FLANGED,L=12.1,BLACK (Ref # 92027) | 92027-1651 | 2 |
| GROMMET,12.2X26X16 (Ref # 92071) | 92071-0785 | 1 |
| DAMPER (Ref # 92075) | 92075-277 | 2 |
| BOLT,BANJO,10X22 (Ref # 92154) | 92154-1138 | 2 |
| BOLT,SOCKET,6X10 (Ref # 92154A) | 92154-1693 | 1 |
| BOLT,BANJO,10X23 (Ref # 92154B) | 92154-1712 | 2 |
| BOLT,SOCKET,6X22 (Ref # 92154C) | 92154-2302 | 2 |
| CLAMP,FR FENDER,RH (Ref # 92173) | 92173-2435 | 1 |
| BOLT-FLANGED,6X12 (Ref # 130) | 130BB0612 | 2 |