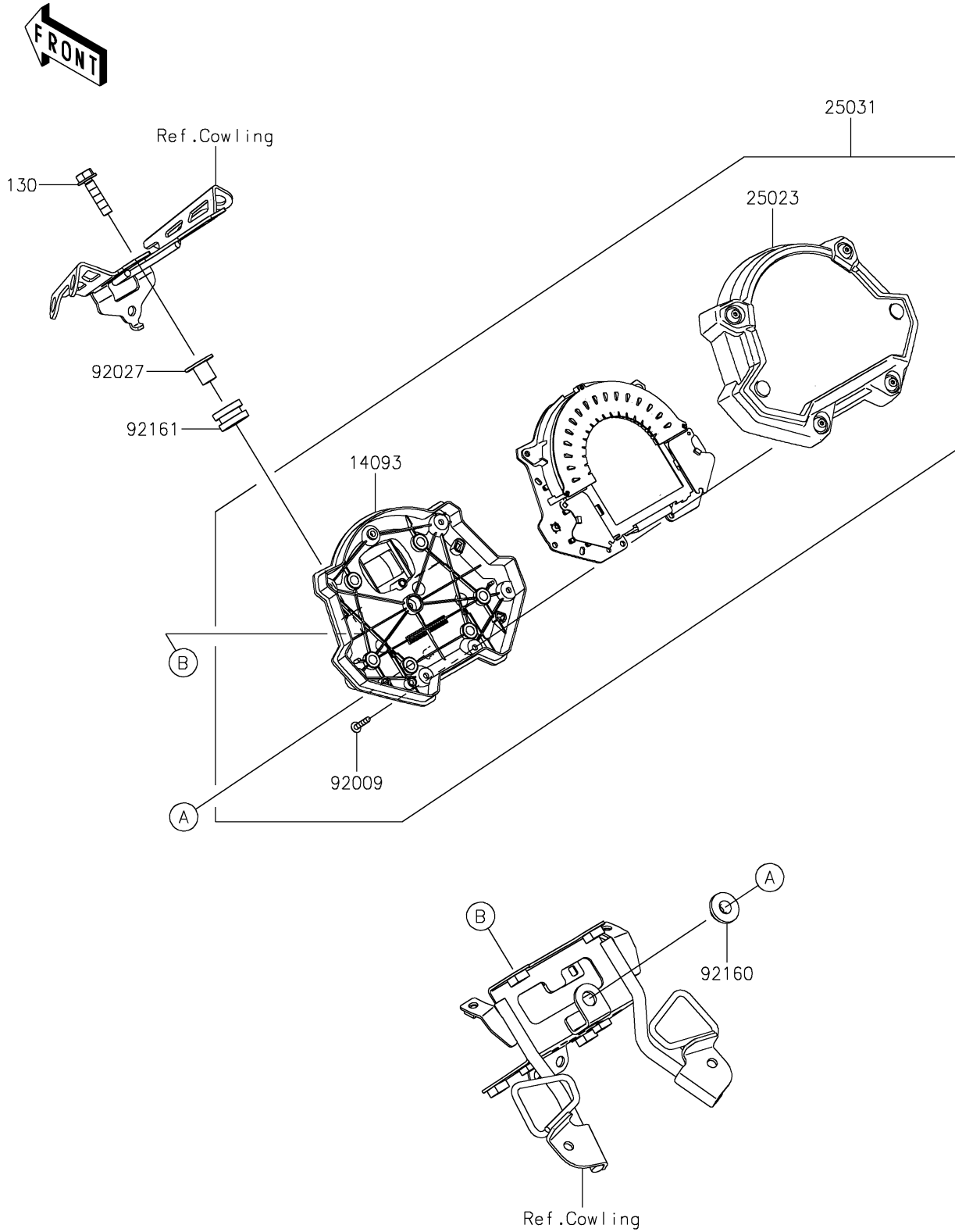


2023 Z400 ABS PARTS DIAGRAM

Meter(s)

F2530



2023 Z400 ABS PARTS LIST

Meter(s)

ITEM NAME	PART NUMBER	QUANTITY
COVER,LWR CASE (Ref # 14093)	14093-0526	1
COVER-METER CASE,UPP (Ref # 25023)	25023-0126	1
METER-ASSY,COMBINATION (Ref # 25031)	25031-0790	1
SCREW,TAPPING,3X16 (Ref # 92009)	92009-1391	8
COLLAR,6.5X10X14.1 (Ref # 92027)	92027-1183	2
DAMPER (Ref # 92160)	92160-1613	1
DAMPER,10X20X12 (Ref # 92161)	92161-2102	2
BOLT-FLANGED,6X25 (Ref # 130)	130BB0625	2