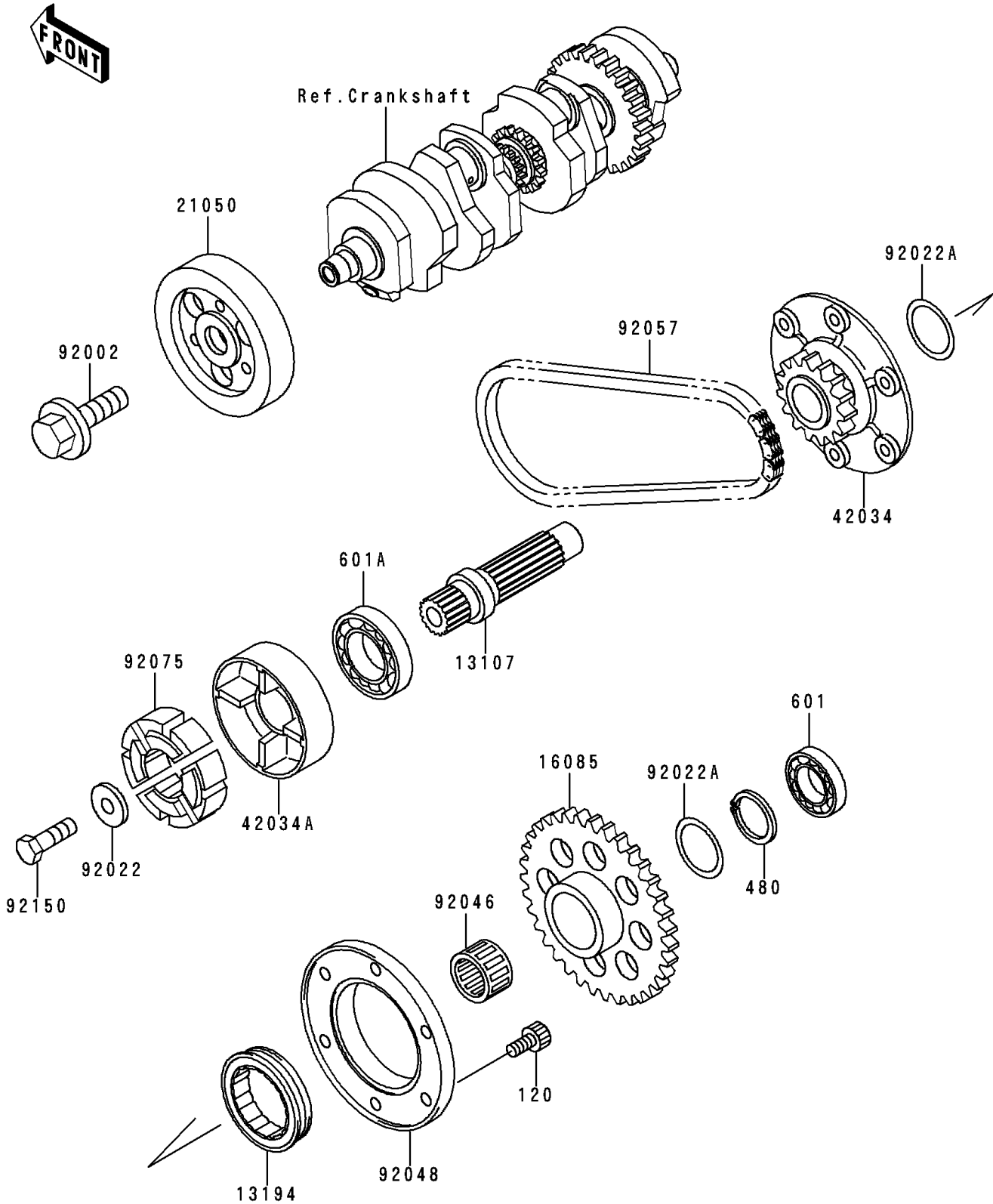


1999 Voyager XII PARTS DIAGRAM

Secondary Shaft

E1322



1999 Voyager XII PARTS LIST

Secondary Shaft

ITEM NAME	PART NUMBER	QUANTITY
BOLT-SOCKET,6X12 (Ref # 120)	120P0612	6
CIRCLIP-TYPE-C,25MM (Ref # 480)	480J2500	1
BEARING-BALL (Ref # 601)	601A6203Z	1
BEARING-BALL,#6204 (Ref # 601A)	601A6204	1
SHAFT (Ref # 13107)	13107-1192	1
CLUTCH-ONEWAY (Ref # 13194)	13194-1096	1
GEAR,ONEWAY CLUTCH (Ref # 16085)	16085-1152	1
FLYWHEEL (Ref # 21050)	21050-1117	1
COUPLING (Ref # 42034)	42034-1082	1
COUPLING (Ref # 42034A)	42034-1083	1
BOLT,14X36 (Ref # 92002)	92002-1862	1
WASHER,8X22X3 (Ref # 92022)	92022-1518	1
WASHER,25.3X32X0.5 (Ref # 92022A)	92022-225	2
BEARING-NEEDLE,K253020S (Ref # 92046)	92046-1022	1
RACE,ONEWAY CLUTCH (Ref # 92048)	92048-1065	1
CHAIN,GENERATOR (Ref # 92057)	92057-1276	1
DAMPER,COUPLING (Ref # 92075)	92075-1790	4
BOLT (Ref # 92150)	92150-1488	1