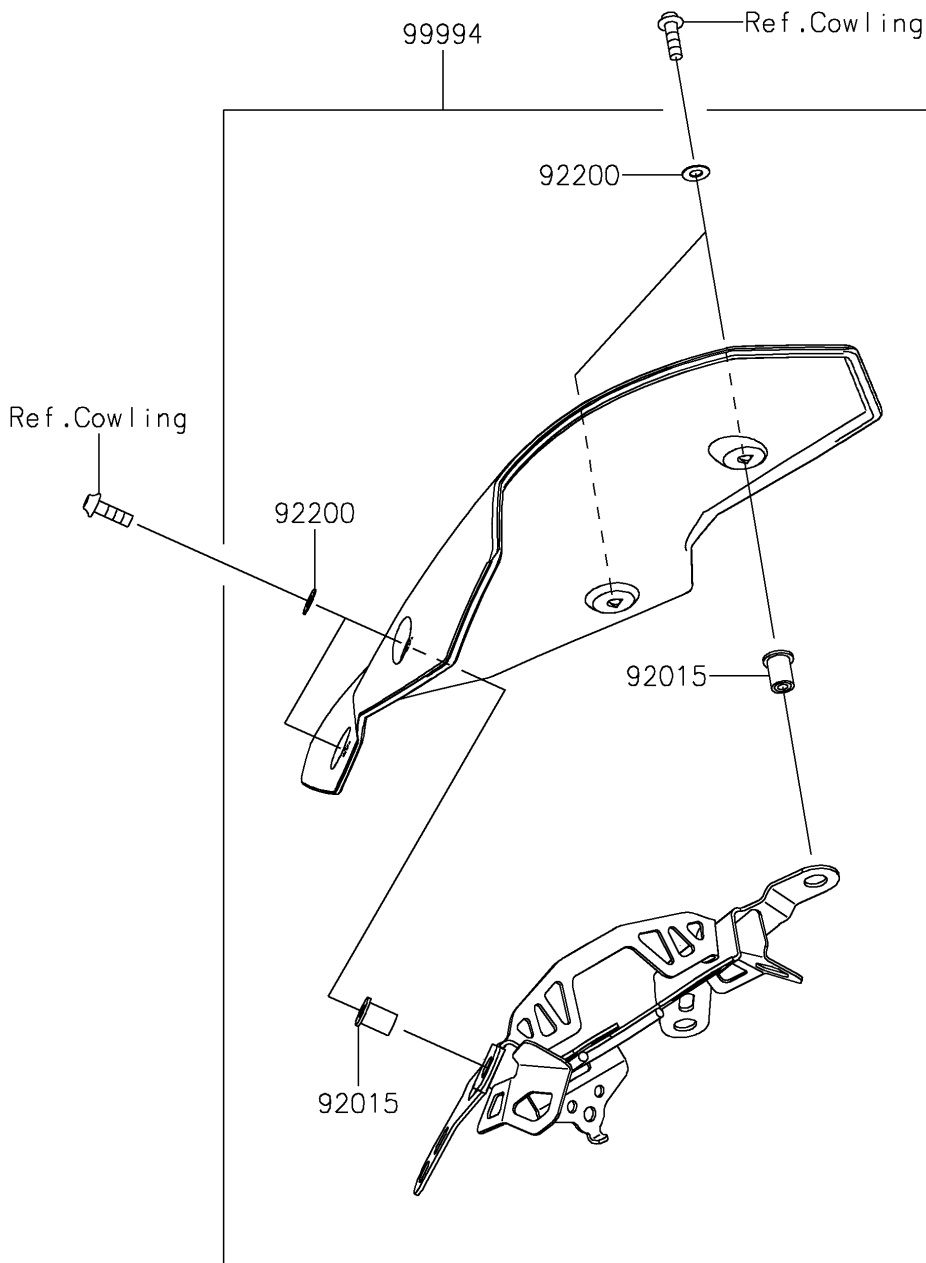


# 2023 Z400 ABS PARTS DIAGRAM

Accessory(Meter Cover)

F2910A



## 2023 Z400 ABS PARTS LIST

Accessory(Meter Cover)

ITEM NAME	PART NUMBER	QUANTITY
NUT,WELL,5MM (Ref # 92015)	92015-1757	4
WASHER,NYLONE,5.3X11.5X0.5 (Ref # 92200)	92200-0006	4
METER COVER (Ref # 99994)	99994-1128	1