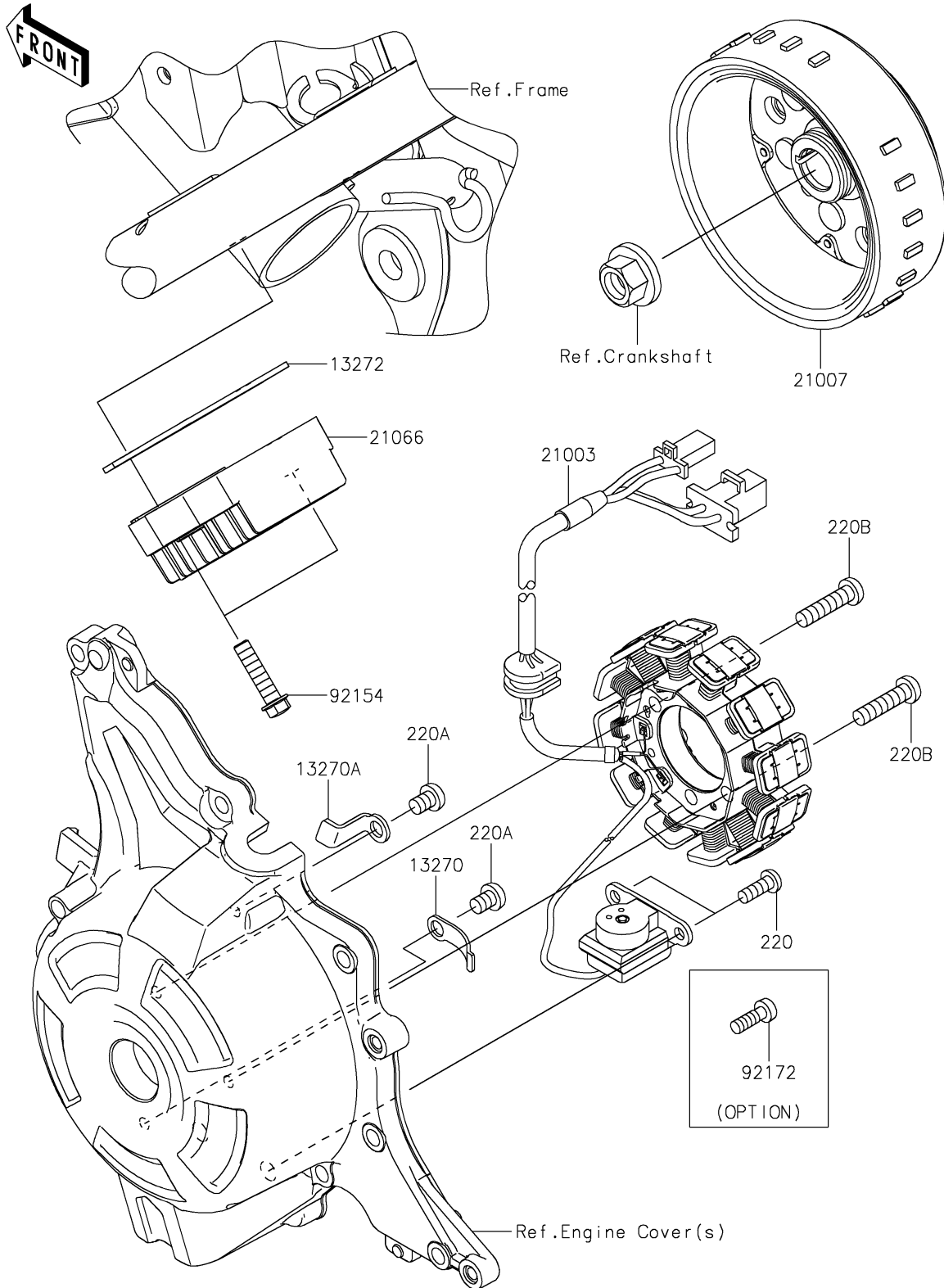


2022 Z125 PRO PARTS DIAGRAM

Generator

E1810



2022 Z125 PRO PARTS LIST

Generator

ITEM NAME	PART NUMBER	QUANTITY
PLATE (Ref # 13270)	13270-1754	1
PLATE (Ref # 13270A)	13270-1961	1
PLATE (Ref # 13272)	13272-2088	1
STATOR (Ref # 21003)	21003-0170	1
ROTOR (Ref # 21007)	21007-0631	1
REGULATOR-VOLTAGE (Ref # 21066)	21066-0764	1
BOLT,FLANGED,6X25 (Ref # 92154)	92154-2273	2
SCREW,5X14 (Ref # 92172)	92172-1077	2
SCREW-PAN-CROS,5X14 (Ref # 220)	220AA0514	2
SCREW-PAN-CROS,6X8 (Ref # 220A)	220AA0608	2
SCREW-PAN-CROS,6X25 (Ref # 220B)	220AA0625	2