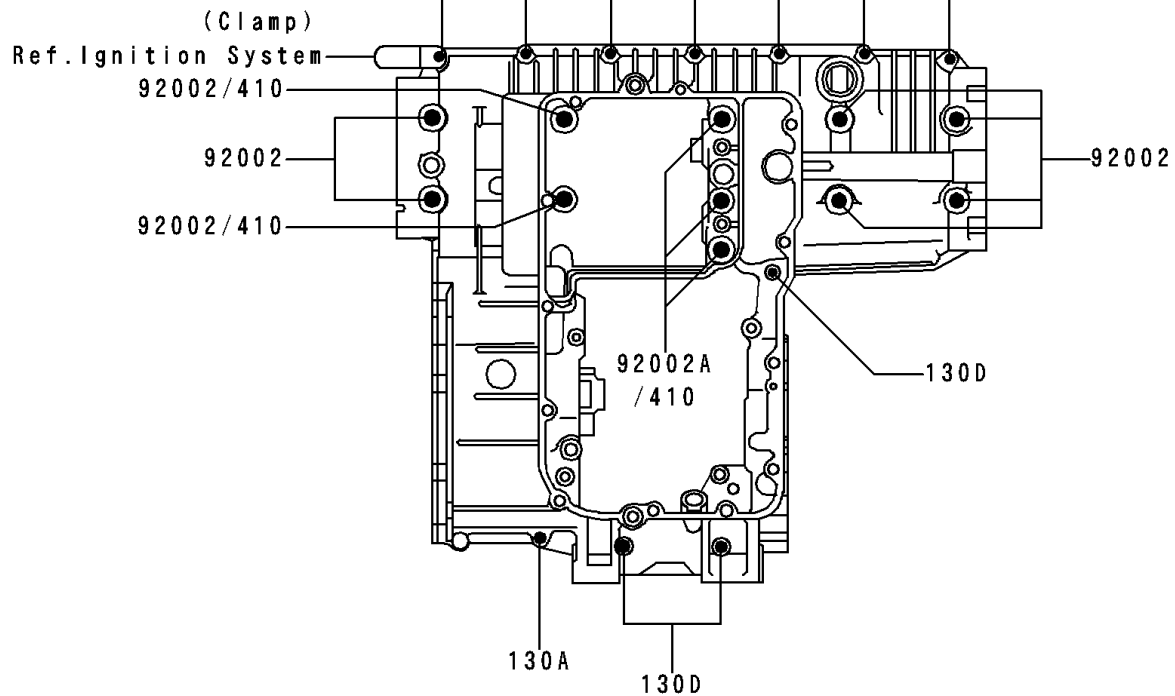
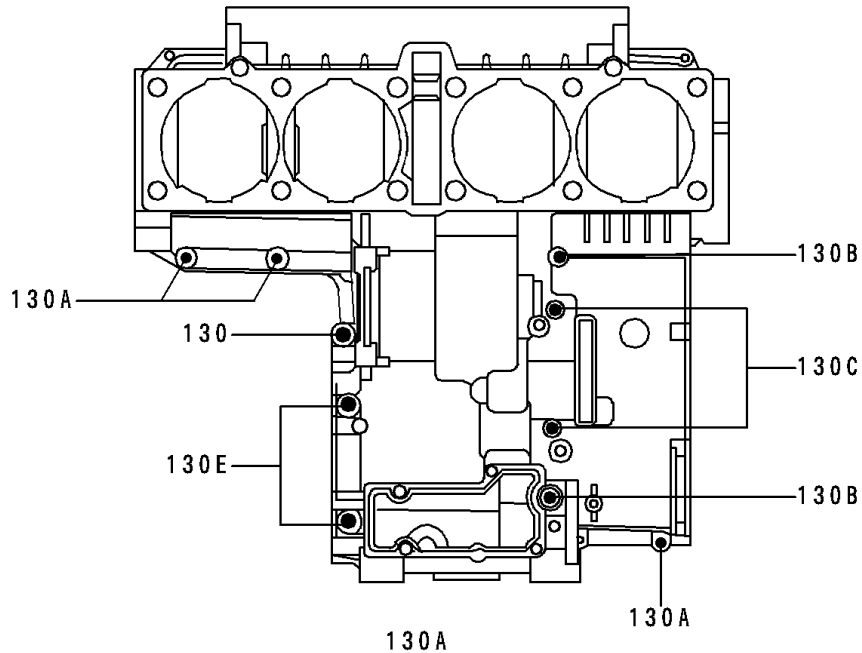


# 2000 Voyager XII PARTS DIAGRAM

## Crankcase Bolt Pattern

E1412

Upper Case (Outside)



Lower Case (Outside)

## 2000 Voyager XII PARTS LIST

### Crankcase Bolt Pattern

ITEM NAME	PART NUMBER	QUANTITY
BOLT-FLANGED (Ref # 130)	130Y0635	1
BOLT-FLANGED (Ref # 130A)	130Y0640	11
BOLT-FLANGED (Ref # 130B)	130Y0690	2
BOLT-FLANGED (Ref # 130C)	130Z06105	2
BOLT-FLANGED (Ref # 130D)	130Z06120	3
BOLT-FLANGED (Ref # 130E)	130Z0870	2
WASHER-PLAIN-SMALL,10MM (Ref # 410)	410B1000	5
BOLT,10X95 (Ref # 92002)	92002-1651	8
BOLT,10X145 (Ref # 92002A)	92002-1652	3