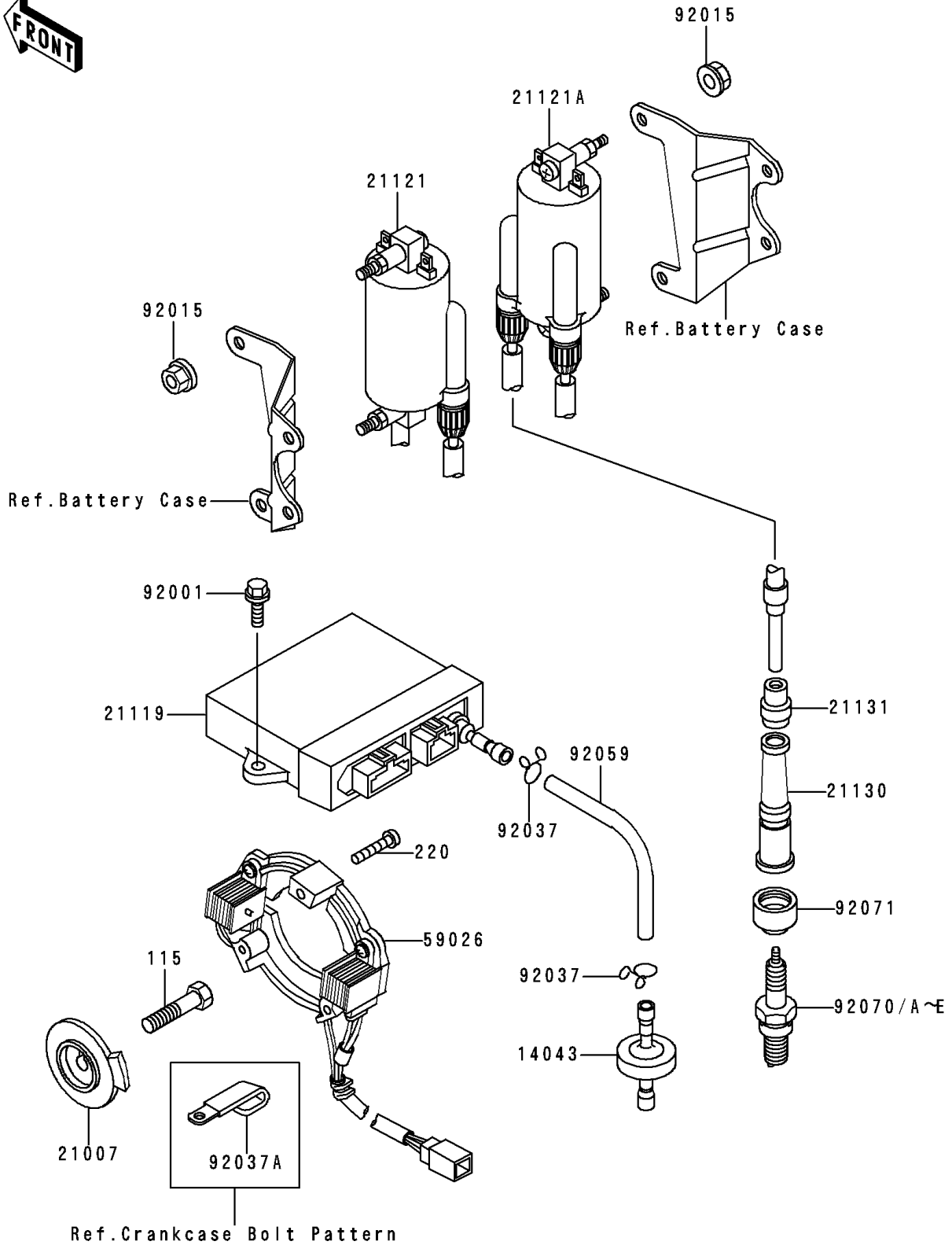


# 1999 Voyager XII PARTS DIAGRAM

Ignition System

E1830



# 1999 Voyager XII PARTS LIST

## Ignition System

ITEM NAME	PART NUMBER	QUANTITY
BOLT-SMALL-UPSET,8X30 (Ref # 115)	115G0830	1
SCREW-PAN-CROS,5X25 (Ref # 220)	220B0525	3
FILTER (Ref # 14043)	14043-1060	1
ROTOR,PULSING COIL (Ref # 21007)	21007-1137	1
IGNITER (Ref # 21119)	21119-1248	1
COIL-IGNITION,#1&4 (Ref # 21121)	21121-1142	1
COIL-IGNITION,#2&3 (Ref # 21121A)	21121-1143	1
CAP-SPARK PLUG (Ref # 21130)	21130-019	4
GROMMET,HIGH TENSION (Ref # 21131)	21131-005	4
COIL-PULSING (Ref # 59026)	59026-1082	1
BOLT,6X20 (Ref # 92001)	92001-1091	2
NUT,FLANGED,6MM (Ref # 92015)	92015-1193	4
CLAMP,TUBE (Ref # 92037)	92037-1482	2
CLAMP,L=45 (Ref # 92037A)	92037-1539	1
TUBE,3X7X140 (Ref # 92059)	92059-1687	1
PLUG-SPARK,DPR8EA-9(NGK) (Ref # 92070)	92070-1065	4
PLUG-SPARK,DPR9EA-9(NGK) (Ref # 92070A)	92070-1068	4
PLUG-SPARK,X24EPR-U9(ND) (Ref # 92070B)		4
PLUG-SPARK,X27EPR-U9(ND) (Ref # 92070C)		4
PLUG-SPARK,X22EPR-U9(ND) (Ref # 92070D)		4
PLUG-SPARK,DPR7EA9(NGK) (Ref # 92070E)	92070-1125	4
GROMMET,PLUG CAP (Ref # 92071)	92071-1124	4