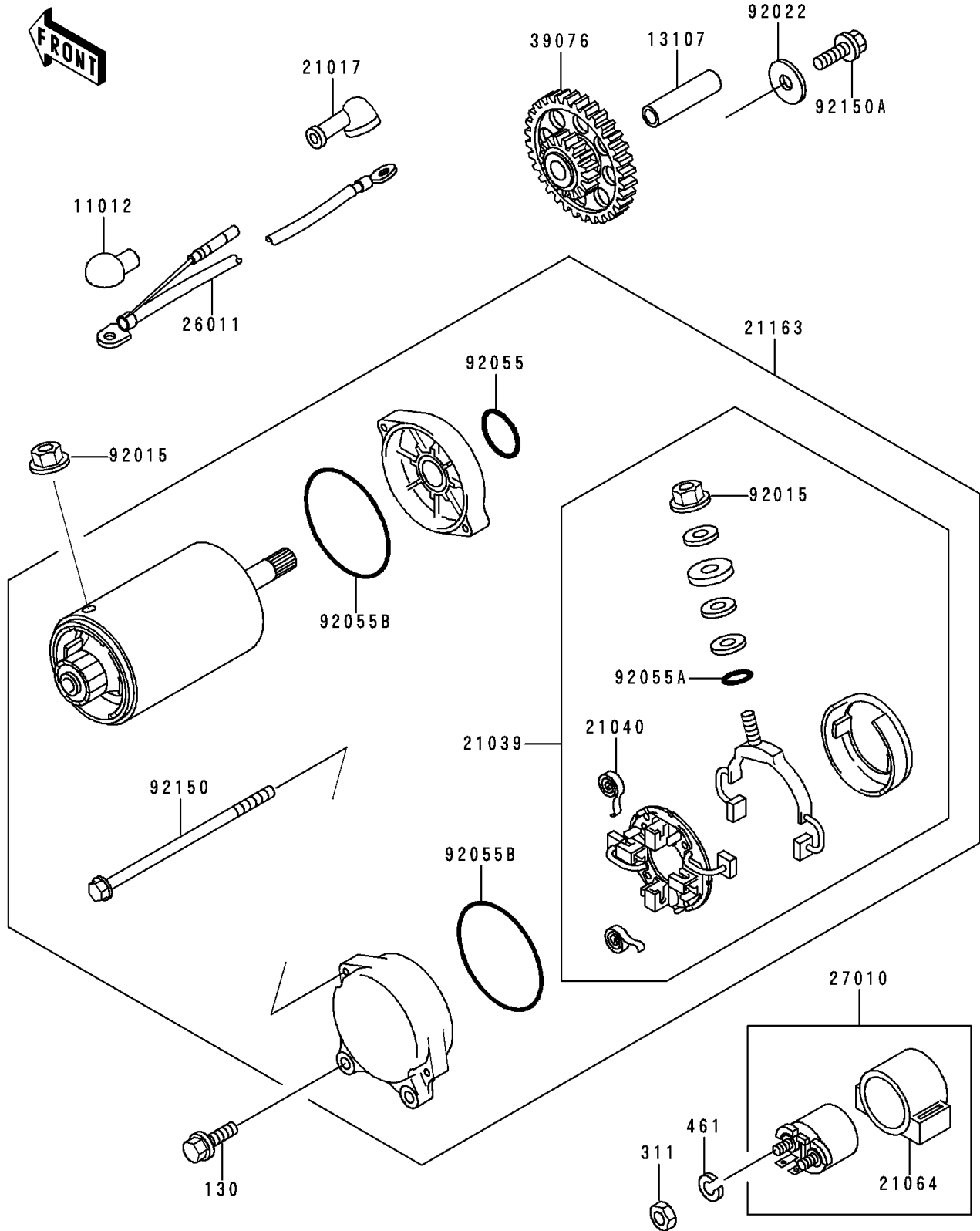


# 1999 Voyager XII PARTS DIAGRAM

Starter Motor

E1840



# 1999 Voyager XII PARTS LIST

## Starter Motor

ITEM NAME	PART NUMBER	QUANTITY
BOLT-FLANGED,6X25 (Ref # 130)	130G0625	2
NUT-HEX,6MM (Ref # 311)	311B0600	2
WASHER-SPRING,6MM (Ref # 461)	461F0600	2
CAP,TERMINAL (Ref # 11012)	11012-1354	1
SHAFT,IDLE GEAR (Ref # 13107)	13107-1106	1
GROMMET,STARTER TERMINAL (Ref # 21017)	21017-017	1
BRUSH,CARBON (Ref # 21039)	21039-1060	1
SPRING-BRUSH (Ref # 21040)	21040-1055	4
DAMPER,MAGNETIC SWITCH (Ref # 21064)	21064-002	1
STARTER-ELECTRIC (Ref # 21163)	21163-1196	1
WIRE-LEAD,STARTER MOTOR (Ref # 26011)	26011-1369	1
SWITCH,MAGNETIC (Ref # 27010)	27010-1209	1
LIMITER,STARTER IDLE (Ref # 39076)	39076-1067	1
NUT,STARTER MOTOR (Ref # 92015)	92015-1476	2
WASHER,6X19.5X2 (Ref # 92022)	92022-1517	1
RING-O (Ref # 92055)	92055-1276	1
RING-O,4.5X2.0 (Ref # 92055A)	92055-1370	1
RING-O,STARTER MOTOR (Ref # 92055B)	92055-1381	2
BOLT,STARTER MOTOR (Ref # 92150)	92150-1572	2
BOLT,6X12 (Ref # 92150A)	92150-1826	1