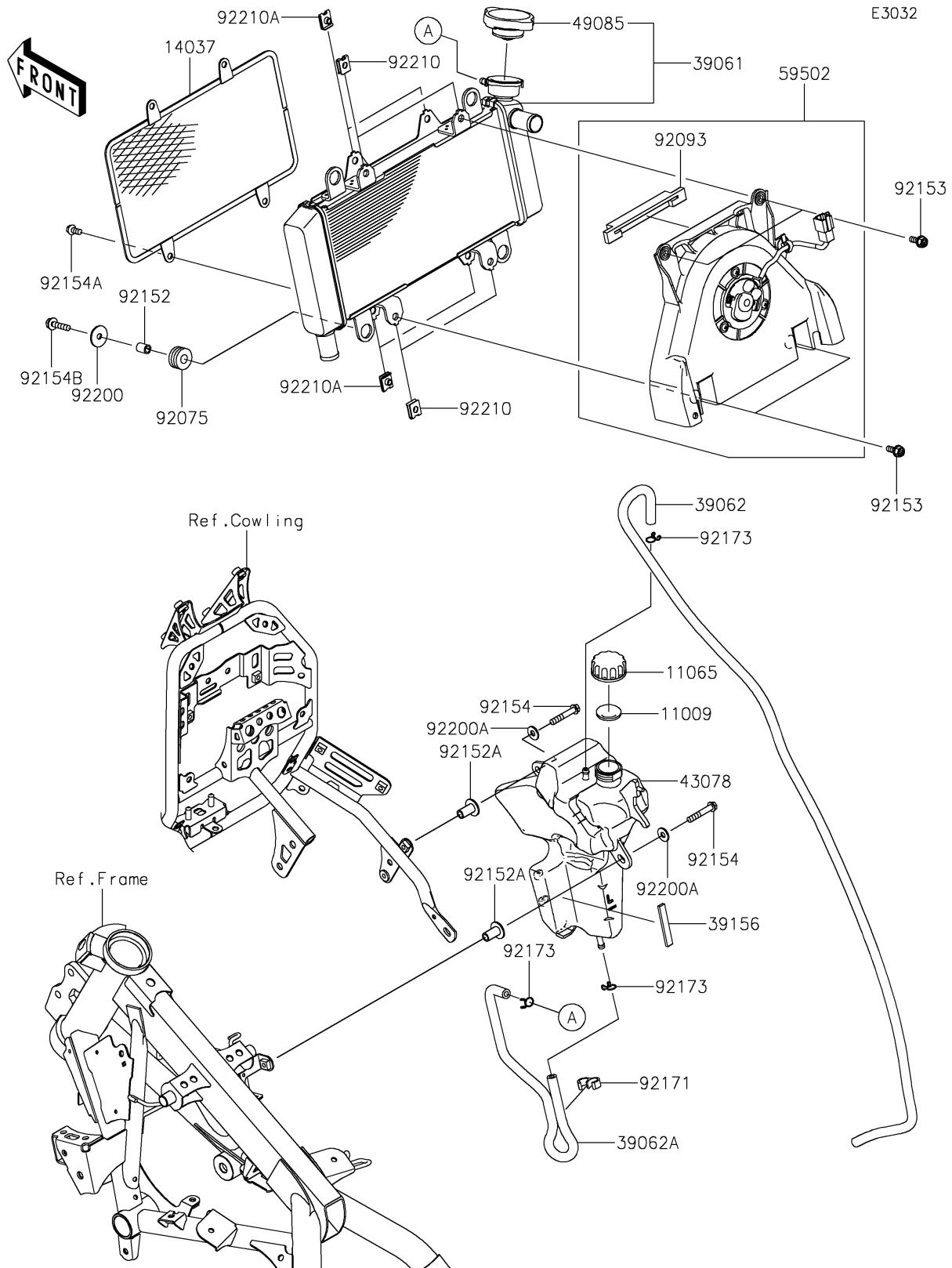


# 2023 Versys-X 300 PARTS DIAGRAM

## Radiator



## 2023 Versys-X 300 PARTS LIST

### Radiator

ITEM NAME	PART NUMBER	QUANTITY
GASKET,RESERVOIR TANK CAP (Ref # 11009)	11009-1145	1
CAP (Ref # 11065)	11065-0969	1
SCREEN (Ref # 14037)	14037-0781	1
RADIATOR-ASSY (Ref # 39061)	39061-0735	1
HOSE-COOLING,OVER FLOW (Ref # 39062)	39062-0769	1
HOSE-COOLING,RADI.-RESERVOIR (Ref # 39062A)	39062-0770	1
PAD,8X50X3 (Ref # 39156)	39156-2198	1
RESERVOIR (Ref # 43078)	43078-0587	1
CAP-ASSY-PRESSURE (Ref # 49085)	49085-0006	1
FAN-ASSY (Ref # 59502)	59502-0611	1
DAMPER,10X24X12 (Ref # 92075)	92075-1690	4
SEAL (Ref # 92093)	92093-0587	1
COLLAR,6.8X10X13 (Ref # 92152)	92152-0846	4
COLLAR (Ref # 92152A)	92152-2283	2
BOLT (Ref # 92153)	92153-0531	4
BOLT,FLANGED,6X35 (Ref # 92154)	92154-0807	2
BOLT,FLANGED,6X12 (Ref # 92154A)	92154-1777	4
BOLT,FLANGED,6X25 (Ref # 92154B)	92154-2556	4
CLAMP (Ref # 92171)	92171-1184	1
CLAMP (Ref # 92173)	92173-0050	3
WASHER,6.5X24X1.6 (Ref # 92200)	92200-0789	4
WASHER,6.5X16X1.6 (Ref # 92200A)	92200-1853	2
NUT (Ref # 92210)	92210-1323	4
NUT (Ref # 92210A)	92210-1518	4