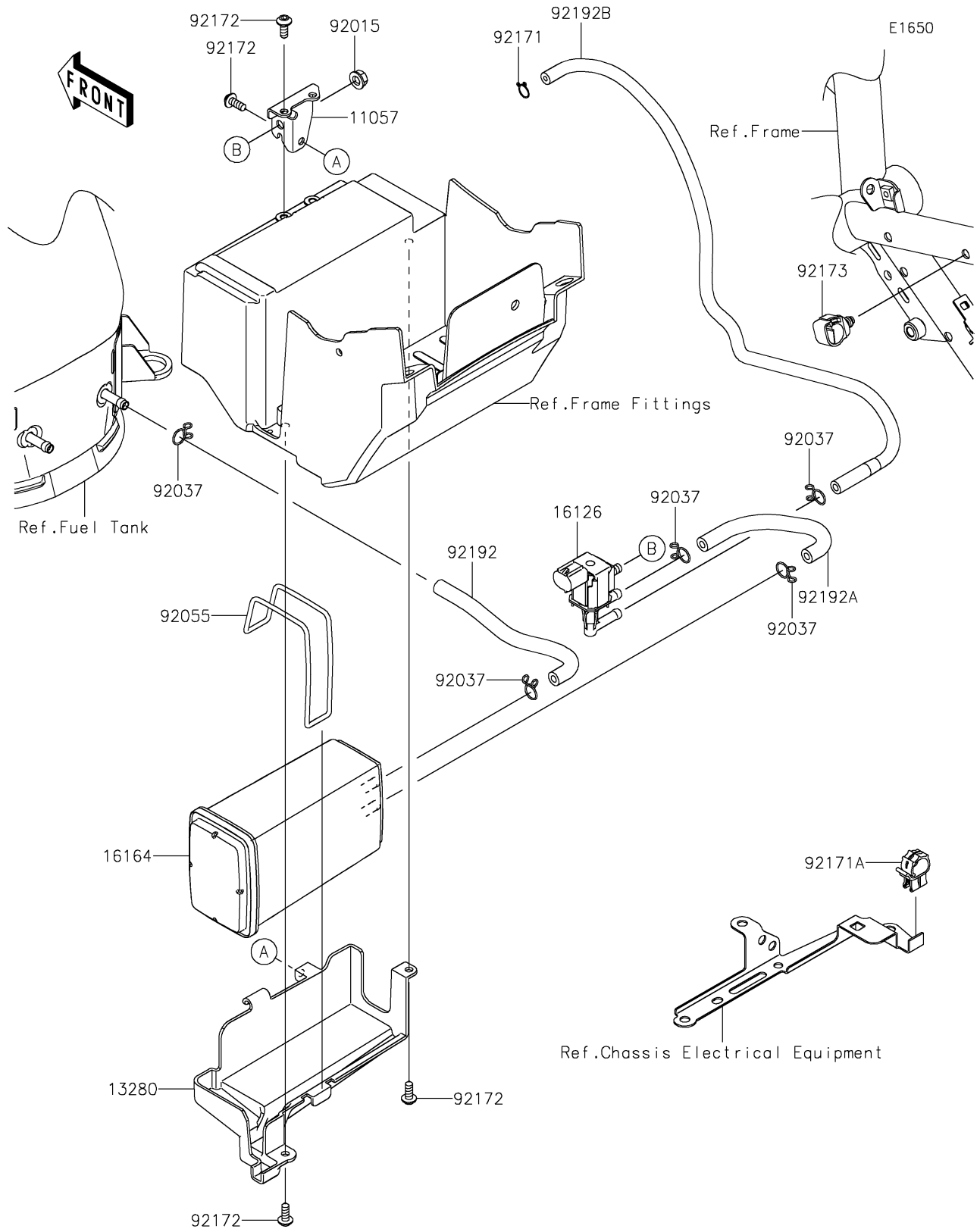


# 2023 Z900 ABS PARTS DIAGRAM

Fuel Evaporative System(CA)



## 2023 Z900 ABS PARTS LIST

Fuel Evaporative System(CA)

| ITEM NAME                             | PART NUMBER | QUANTITY |
|---------------------------------------|-------------|----------|
| BRACKET,PCV (Ref # 11057)             | 11057-0286  | 1        |
| HOLDER,CANISTER (Ref # 13280)         | 13280-0880  | 1        |
| VALVE,PCV (Ref # 16126)               | 16126-0740  | 1        |
| CANISTER (Ref # 16164)                | 16164-0012  | 1        |
| NUT,FLANGED,6MM (Ref # 92015)         | 92015-1367  | 1        |
| CLAMP,TUBE (Ref # 92037)              | 92037-147   | 5        |
| RING-O,104.4X3.1 (Ref # 92055)        | 92055-1020  | 1        |
| CLAMP (Ref # 92171)                   | 92171-0573  | 1        |
| CLAMP,EDGE CLIP (Ref # 92171A)        | 92171-1722  | 1        |
| SCREW,SOCKET,5X14 (Ref # 92172)       | 92172-0823  | 5        |
| CLAMP,12MM DIA. (Ref # 92173)         | 92173-0736  | 1        |
| TUBE,CANISTER-TANK (Ref # 92192)      | 92192-1690  | 1        |
| TUBE,PCV-CANISTER (Ref # 92192A)      | 92192-1691  | 1        |
| TUBE,PCV-THROTTLE BODY (Ref # 92192B) | 92192-1779  | 1        |